

Installation instructions

Audi reversing camera

- Audi Q5 (80A) 2017 ►**
- Audi A4/A5 (8W) 2016 ►**
- Audi A6 (8W) 2019 ►**

**Left-hand-drive and right-hand-drive vehicles
for package number**

- 80A.054.634 for Audi Q5 2017 ► 2019**
- 80A.054.634.A for Audi Q5 2017 ►**
- 80A.054.634 for Audi A6 Avant/Allroad 2019 ► 2020**
- 80A.054.634.A for Audi A6 Avant/Allroad 2019 ►**
- 8W5.054.634 for Audi A4 Saloon 2016 ► 2019**
- 8W5.054.634.A for Audi A4 Saloon 2016 ►**
- 8W9.054.634 for Audi A4 Avant/Allroad 2016 ► 2019**
- 8W9.054.634.A for Audi A4 Avant/Allroad 2016 ►**
- 8W8.054.634 for Audi A5 Sportback/Coupé 2016 ► 2019**
- 8W8.054.634.A for Audi A5 Sportback/Coupé 2016 ►**
- 8W7.054.634 for Audi A5 Cabriolet 2016 ► 2019**
- 8W7.054.634.A for Audi A5 Cabriolet 2016 ►**
with wiring harness 8W5.054.733 or 8W5.054.733.B

Audi Genuine Accessories

Edition 01



Contents

1	Notes	1
1.1	General notes	1
1.2	Safety instructions	1
1.3	Repair instructions	2
1.3.1	Contact corrosion	2
1.3.2	Routing and securing the wiring harness	2
2	Scope of delivery	3
2.1	Scope of delivery for package 80A 054 634	3
2.2	Scope of delivery for package 80A.054.634.A	3
2.3	Scope of delivery for package 8W5.054.634	3
2.4	Scope of delivery for package 8W5.054.634.A	3
2.5	Scope of delivery for package 8W9.054.634	4
2.6	Scope of delivery for package 8W9.054.634.A	4
2.7	Scope of delivery for package 8W7.054.634	4
2.8	Scope of delivery for package 8W7.054.634.A	5
2.9	Scope of delivery for package 8W8.054.634	5
2.10	Scope of delivery for package 8W8.054.634.A	5
2.11	Scope of delivery for wiring harness 8W5.054.733 or wiring harness 8W5.054.733.B	5
3	Preparations	7
3.1	Disassembling the vehicle	7
3.2	Installing the reversing camera on the vehicle	7
3.3	Installing the Y-pipe	8
3.4	Routing the wiring harness to the reversing camera	8
3.5	Installing and connecting the connector for the reversing camera wiring harness	11
3.6	Routing the wiring harness to the data bus diagnostic interface -J533- and control unit 1 for information electronics -J794-	12
4	Connecting the reversing camera wiring harness	14
4.1	Connecting the wiring harness to the data bus diagnostic interface -J533-	14
4.2	Connecting the wiring harness 8W5.054.733 and 8W5.054.733.B to control unit 1 for information electronics -J794- (MIB 2*)	16
4.3	Connecting the wiring harness 8W5.054.733.B to control unit 1 for information electronics -J794- (MIB 3)	18
4.4	Concluding operations	20



1 Notes

1.1 General notes


Please read these instructions carefully and note the Warning, Caution and Note descriptions before installing the Audi reversing camera.

 **DANGER**

Text with this symbol indicates dangerous situations where a failure to comply could result in death or serious injuries.

 **WARNING**

Text with this symbol indicates dangerous situations where a failure to comply could result in death or serious injuries.

 **CAUTION**

Text with this symbol indicates dangerous situations where a failure to comply could result in minor or moderate injuries.

 **NOTICE**


Text with this symbol indicates situations where a failure to comply could result in damage to the vehicle.

TIP:

Text with this symbol contains important additional information.


Audi AG shall not accept responsibility in the event of failure to comply with these assembly instructions.

1.2 Safety instructions

 **CAUTION**

Potential hazard to your own safety and that of third parties in the event of failure to comply with the installation instructions and safety instructions.

- Please read these installation instructions carefully before starting installation.

 **NOTICE**

Vehicle damage caused by improper installation.

- All mechanical and electrical connections must be checked to make sure that they are positioned and installed correctly.
- Repairs or the replacement of parts must only be performed by a qualified workshop.

TIP:



Installation of the Audi reversing camera must be carried out by a specialist workshop. Special tools and supplementary vehicle-specific literature will be needed to perform the installation. Improper installation can cause damage to the vehicle or the Audi reversing camera.

The work to be performed on the vehicle, as detailed in these fitting instructions, may change as a result of measures to upgrade models. Consequently, modifications to connectors, wire colours or even the fitting location, for instance, should not be ruled out. For this reason, make sure that you always refer to the most current wiring diagram and/or the current repair manuals for the vehicle.

We reserve the right to make technical changes.

1.3 Repair instructions

1.3.1 Contact corrosion

Contact corrosion can occur when unsuitable connecting elements (screws, nuts, washers) are used.

For this reason, only connecting elements with a special surface coating are fitted.

Additionally, rubber or plastic parts and adhesives are made of materials that are not electrically conductive.

If you are in any doubt about the suitability of parts, use new parts as a general rule ⇒ Electronic parts catalogue.

Please note:

- ◆ We recommend using only genuine spare parts; these parts have been tested and are compatible with aluminium.
- ◆ We recommend using Audi Genuine Accessories.
- ◆ Damage caused by contact corrosion is not covered by the warranty.

1.3.2 Routing and securing the wiring harness

CAUTION

Impairment of airbag function by improper routing or damage to wires.

- **Observe the safety instructions for pyrotechnic components (see repair group 69).**
- **During installation, ensure that the airbag does not become trapped.**
- **Route the retrofit wiring harness behind the airbag and secure accordingly.**
- **Due to the limited space available, make sure that there is adequate clearance in relation to all moving components.**



2 Scope of delivery

2.1 Scope of delivery for package 80A 054 634

Applies to the Audi Q5 2017 ► 2019 and A6 Avant/Allroad 2019 ► 2020

Quantity	Component	Part number
1	Reversing camera	8W8.827.566.E
1	Wiring harness	8W5.054.733
1	Y-pipe	80A.955.961.A for the Audi Q5
1	Y-pipe	4K9.955.961.A for the Audi A6
1	Activation document	4M0.054.800

2.2 Scope of delivery for package 80A.054.634.A

Applies to the Audi Q5 2017 ► , A6 Avant/Allroad 2019 ►

Quantity	Component	Part number
1	Reversing camera	8W8.827.566.E
1	Wiring harness	8W5.054.733.B
1	Y-pipe	80A.955.961.A for the Audi Q5
1	Y-pipe	4K9.955.961.A for the Audi A6
1	Activation document	4M0.054.800

2.3 Scope of delivery for package 8W5.054.634

Applies only to the Audi A4 Saloon 2016 ► 2019

Quantity	Component	Part number
1	Reversing camera	3V0.827.566.L
1	Wiring harness	8W5.054.733
1	Activation document	4M0.054.800

2.4 Scope of delivery for package 8W5.054.634.A

Applies only to the Audi A4 Saloon 2016 ►



Quantity	Component	Part number
1	Reversing camera	3V0.827.566.L
1	Wiring harness	8W5.054.733.B
1	Activation document	4M0.054.800

2.5 Scope of delivery for package 8W9.054.634

Applies only to the Audi A4 Avant/Allroad 2016 ► 2019

Quantity	Component	Part number
1	Reversing camera	3V0.827.566.M
1	Wiring harness	8W5.054.733
1	Y-pipe	8W9.955.934
1	Activation document	4M0.054.800

2.6 Scope of delivery for package 8W9.054.634.A

Applies only to the Audi A4 Avant 2016 ►

Quantity	Component	Part number
1	Reversing camera	3V0.827.566.M
1	Wiring harness	8W5.054.733.B
1	Y-pipe	8W9.955.934
1	Activation document	4M0.054.800

2.7 Scope of delivery for package 8W7.054.634

Applies only to the Audi A5 Cabriolet 2016 ► 2019

Quantity	Component	Part number
1	Reversing camera	4M0.980.556.A
1	Wiring harness	8W5.054.733
1	Handle trim	8W7.827.574.A 3FZ
1	Retaining clip	8W7.980.553
1	Securing bolt	N.909.159.01
1	Activation document	4M0.054.800



2.8 Scope of delivery for package 8W7.054.634.A

Applies only to the Audi A5 Cabriolet 2016 ►

Quantity	Component	Part number
1	Reversing camera	4M0.980.556.A
1	Wiring harness	8W5.054.733.B
1	Handle trim	8W7.827.574.A 3FZ
1	Retaining clip	8W7.980.553
1	Securing bolt	N.909.159.01
1	Activation document	4M0.054.800

2.9 Scope of delivery for package 8W8.054.634

Applies only to the Audi A5 Sportback/A5 Coupé 2016 ►
2019

Quantity	Component	Part number
1	Reversing camera	8W8.827.566.D
1	Wiring harness	8W5.054.733
1	Activation document	4M0.054.800

2.10 Scope of delivery for package 8W8.054.634.A

Applies only to the Audi A5 Sportback/A5 Coupé 2016 ►

Quantity	Component	Part number
1	Reversing camera	8W8.827.566.D
1	Wiring harness	8W5.054.733.B
1	Activation document	4M0.054.800



2.11 Scope of delivery for wiring harness 8W5.054.733 or wiring harness 8W5.054.733.B

Scope of delivery for corresponding wiring harness 8W5.054.733

Quantity	Component	Part number
1	Wiring harness	
1	Connector housing	5C6.973.752 ¹⁾
1	Connector housing	1C0.973.119.B ¹⁾
1	Connector housing for 8-pin connector	8K0 971 833 ¹⁾
8	Cable tie clips	3D0.971.838.K
25	Cable ties	
4	Adhesive pads 19 mm x 19 mm	000.971.010
2	Foam grommet	
1	Activation document	4M0.054.800

¹⁾ in PE bag on the wiring harness.

Scope of delivery for corresponding wiring harness 8W5.054.733.B

Quantity	Component	Part number
1	Wiring harness	
1	Connector housing	5C6.973.752 ¹⁾
1	Connector housing	1C0.973.119.B ¹⁾
1	Connector housing for video wiring	6Q0 035 576 F ¹⁾
1	Connector housing for 8-pin connector	8K0 971 833 ¹⁾
1	Connector housing for 2-pin connector	4B0 972 623 ¹⁾
1	Video wire adapter; length approx. 10 cm	
8	Cable tie clips	3D0.971.838.K
25	Cable ties	
4	Adhesive pads 19 mm x 19 mm	000.971.010
2	Foam grommet	
1	Activation document	4M0.054.800

¹⁾ in PE bag on the wiring harness.



3 Preparations

3.1 Disassembling the vehicle

Next steps for all vehicles

ELSA (Electronic Service Information System) reference

- Disconnect the battery. ⇒ Electrical system; Rep. gr. 27; Battery; Disconnecting and connecting the battery
- Remove the glove compartment. ⇒ General body repairs, interior; Rep. gr. 68; Glove compartment; Removing and installing the glove compartment
- Remove the control unit for the Multi Media Interface. ⇒ Communication; Rep. gr. 91; Infotainment system; Removing and installing control unit 1 for information electronics
- Remove the A-pillar trim on the passenger side. ⇒ General body repairs, interior; Rep. gr. 70; Interior trims; Removing and installing the A-pillar trim
- Remove the footwell trim on the passenger side. ⇒ General body repairs, interior; Rep. gr. 68; Interior trims; Removing and installing the footwell trim
- Remove the front sill panel trim on the passenger side. ⇒ General body repairs, interior; Rep. gr. 70; Interior trims; Removing and installing the sill panel trim
- Remove the B-pillar trim on the passenger side. ⇒ General body repairs, interior; Rep. gr. 70; Interior trims; Removing and installing the B-pillar trim on the passenger side
- Remove the rear sill panel trim on the passenger side. ⇒ General body repairs, interior; Rep. gr. 70; Interior trims; Removing and installing the sill panel trim
- Remove the bench seat/individual seats ⇒ General body repairs, interior; Rep. gr. 72; Rear bench seat; Removing and installing the bench seat/individual seats
- Remove the C-pillar trim on the passenger side. ⇒ General body repairs, interior; Rep. gr. 70; Interior trims; Removing and installing the C-pillar
- Remove the luggage compartment side trim on the passenger side ⇒ General body repairs, interior; Rep. gr. 70; Luggage compartment trims; Removing and installing the luggage compartment side trim
- Remove the rear lid trim. ⇒ General body repairs, interior; Rep. gr. 70; Luggage compartment trim; Removing and installing the rear lid trim

3.2 Installing the reversing camera on the vehicle

Applies only to the Audi Q5, Audi A6 Avant/allroad and Audi A4 Avant/allroad

- Install the reversing camera in the button for actuating the lid lock.
- Divide the rear window windscreen washer system hose for the camera and windscreen using the supplied Y-pipe.

Applies only to the Audi A4 Saloon, A5 Sportback and A5 Coupé

- Replace the button for actuating the lid lock without a camera with the supplied button for actuating the lid lock including a camera.

Applies only to the Audi A5 Cabriolet

- Replace the old handle trim with the supplied handle trim, retaining clip and bolt.



- Install the supplied rear view camera system in the new handle trim using the retaining clip.

3.3 Installing the Y-pipe

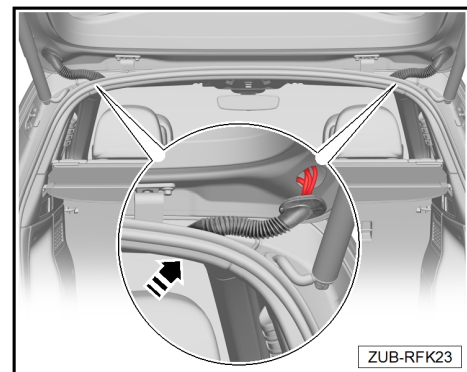
Applies only to the Audi Q5, Audi A6 Avant/allroad and Audi A4 Avant/allroad

- Remove the hose from rear window wash and wipe system.
- Fit the Y-pipe to the hose. Check that it is securely fitted.
- Attach one side of the Y-pipe to the rear window wash and wipe system.
- Attach the second side of the Y-pipe to the button/handle to enable cleaning of the reversing camera.
- Check the system for leaks!

3.4 Routing the wiring harness to the reversing camera

Applies to the Audi Q5 and A5 Sportback, left-hand drive vehicles

- Route the wiring harness with the connectors for the reversing camera from the vehicle interior via the grommet into the rear lid.

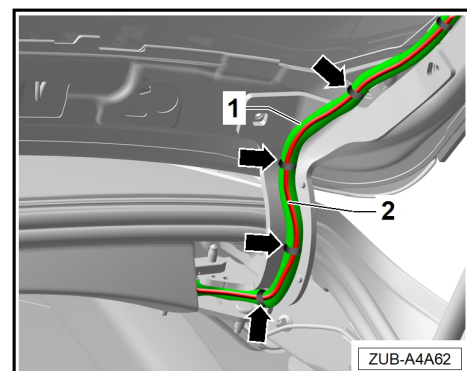


Applies to the Audi A4 Avant/allroad and Audi A6 Avant/allroad, left-hand drive vehicles

- Route the wire for the rear camera -2- along the standard wiring harness -1- and secure using cable ties to prevent sliding -arrows-.

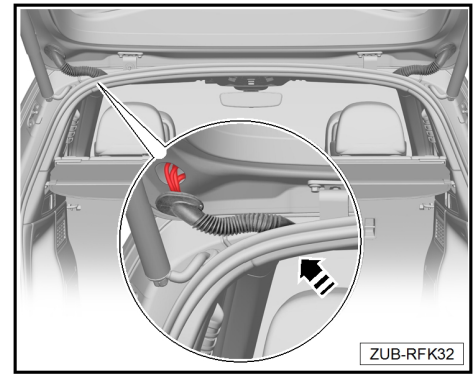
Note

Route the wire for the rear camera onto the standard wiring harness as shown in the image to avoid damage.



Applies to the Audi Q5, Audi and A5 Sportback, right-hand drive vehicles

- Route the wiring harness with the connectors for the reversing camera from the vehicle interior via the grommet into the rear lid.

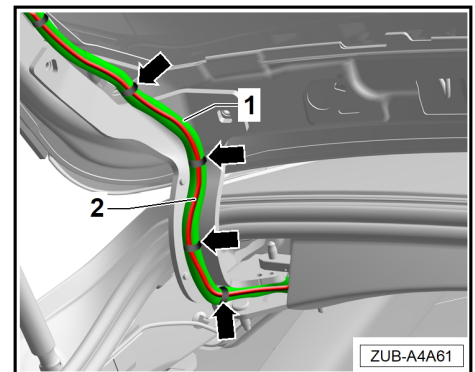


Applies to the Audi A4 Avant/allroad and Audi A6 Avant/allroad, right-hand drive vehicles

- Route the wire for the rear camera -2- along the standard wiring harness -1- and secure using cable ties to prevent sliding -arrows-.

Note

Route the wire for the rear camera onto the standard wiring harness as shown in the image to avoid damage.



Applies only to the Audi A4 Saloon, A5 Coupé and A5 Cabriolet, left-hand drive vehicles, right-hand drive vehicles

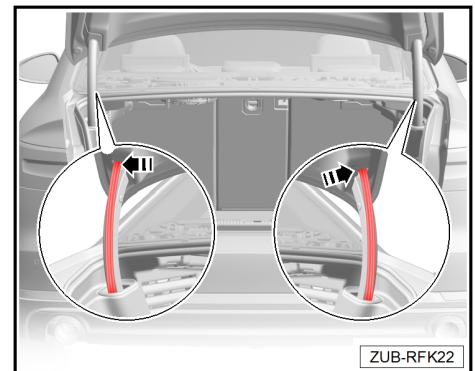
- Position the wiring harness in the area of the rear view camera system and route the wiring harness via the rear lid hinge into the vehicle interior.

TIP:

Depending on the vehicle variant, a standard wiring harness may or may not be routed on the rear lid hinge.

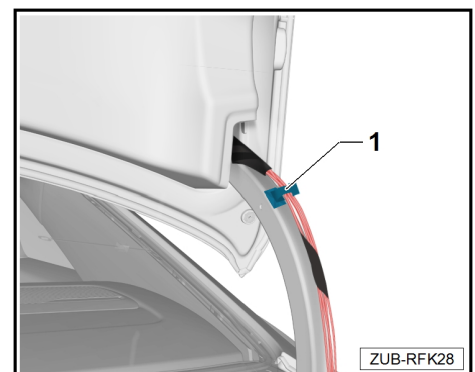
If a standard wiring harness is present, secure the rear view camera system wiring harness to it using the cable ties.

If no standard wiring harness is present, secure the rear view camera system wiring harness as follows.



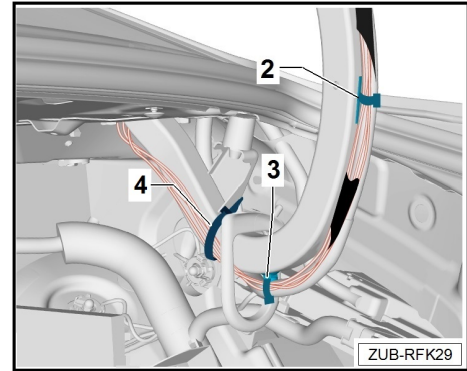
Applies to left-hand drive vehicle variants

- Insert cable tie clips -1- into the holes on the rear lid hinge. If no holes are present, position adhesive pads -1- in the same location.

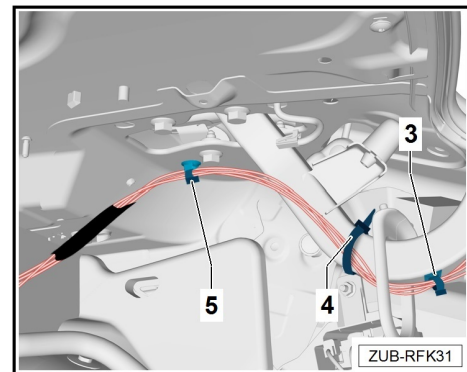




- Attach the rear view camera system wiring harness to the rear lid hinge using the cable ties provided and either cable tie clips or adhesive pads -2 and 3-.
- Also fasten the rear view camera system wiring harness to the side of the rear lid hinge using a cable tie -4- to prevent it being damaged by the rear lid return spring.

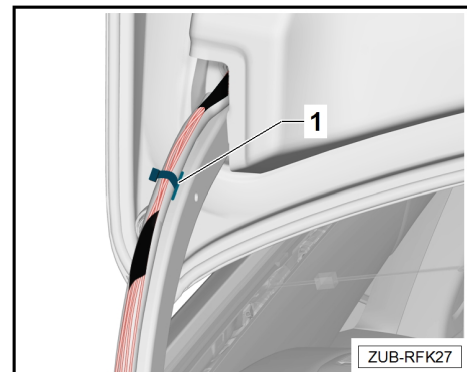


- Secure the rear view camera system wiring harness in the upper part of the vehicle interior using a cable tie clip -5-. If no hole is present, use an adhesive pad -5- at the same location and secure using a cable tie.
- Route the wiring harness onto the next standard wiring harness and secure using cable ties.

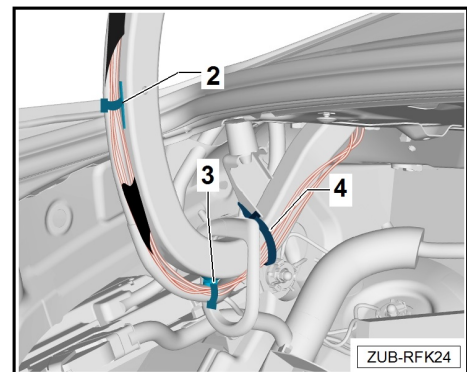


Applies to right-hand drive vehicle variants

- Insert cable tie clips -1- into the holes on the rear lid hinge. If no holes are present, position adhesive pads -1- in the same location.

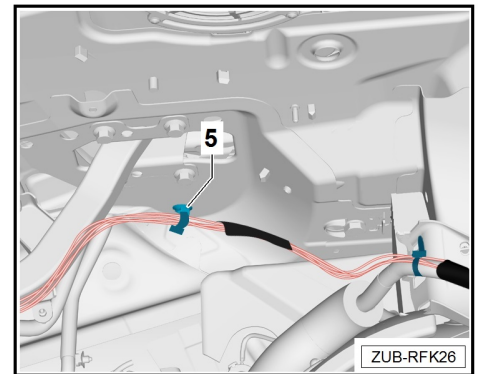


- Attach the rear view camera system wiring harness to the rear lid hinge using the cable ties provided and either cable tie clips or adhesive pads -2 and 3-.
- Also fasten the rear view camera system wiring harness to the side of the rear lid hinge using a cable tie -4- to prevent it being damaged by the rear lid return spring.





- Secure the rear view camera system wiring harness in the upper part of the vehicle interior using a cable tie clip -5-. If no hole is present, use an adhesive pad -5- at the same location and secure using a cable tie.
- Route the wiring harness onto the next standard wiring harness and secure using cable ties.



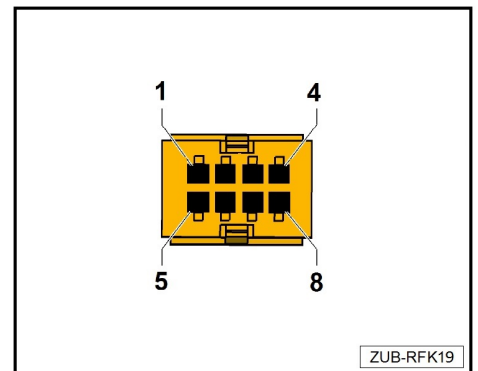
3.5 Installing and connecting the connector for the reversing camera wiring harness

Next steps for all vehicles

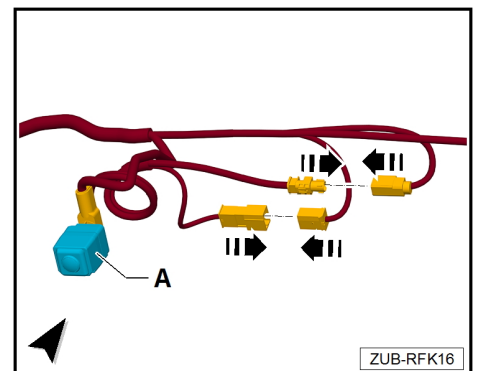
- Insert the loose wire for video transmission into the supplied connector housing 6Q0 035 576 F.
- Insert the four loose wires for the power supply to the reversing camera into the supplied 8-pin connector housing 8K0 971 833 as follows.

TIP

Figure shows the pin side of connector 8K0 971 833.



- ◆ Red/yellow wire into PIN 1
- ◆ Orange/grey wire into PIN 4
- ◆ Brown wire into PIN 5
- ◆ Orange/brown wire into PIN 8
- Fit foam grommets over the two connectors for the reversing camera.
- Connect the two connectors for video transmission on the wiring harness to the reversing camera -A- in the -direction of the arrow-.
- Secure the connectors using foam grommets and cable ties to prevent noise from developing.
- Secure the wiring harness using cable ties to prevent noise from developing.





3.6 Routing the wiring harness to the data bus diagnostic interface -J533- and control unit 1 for information electronics -J794-

Left-hand drive vehicles

- Route the rear view camera system wiring harness from the lead-through on the driver's side/passenger side (depending on the vehicle variant) along the standard wiring harness (there may be no standard wiring harness present, depending on the vehicle variant) and over the C-pillar to the position of the data bus diagnostic interface -J533- -B- under the bench seat.
- Position the cable branch for data bus diagnostic interface -J533- -B- in the area.
- Route the remainder of the wiring harness along the passenger side in the direction of control unit 1 for information electronics -J794- -C-.
- Fix the rear view camera system wiring harness camera to the standard wiring harness along its entire length using cable ties and cable tie clips and secure to prevent noise from developing.



Right-hand drive vehicles

- Route the rear view camera system wiring harness from the lead-through on the driver's side/passenger side (depending on the vehicle variant) along the standard wiring harness (there may be no standard wiring harness present, depending on the vehicle variant) and over the C-pillar to the position of the data bus diagnostic interface -J533- -B- under the bench seat.
- Position the cable branch for data bus diagnostic interface -J533- -B- in the area.
- Route the remainder of the wiring harness along the passenger side in the direction of control unit 1 for information electronics -J794- -C-.
- Fix the rear view camera system wiring harness camera to the standard wiring harness along its entire length using cable ties and secure to prevent noise from developing.





4 Connecting the reversing camera wiring harness

4.1 Connecting the wiring harness to the data bus diagnostic interface -J533-

Connecting to data bus diagnostic interface -J533- connector -A-

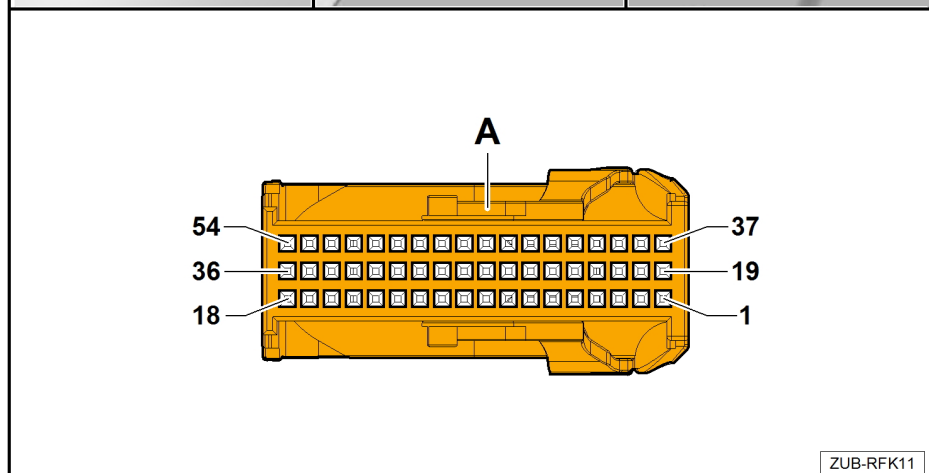
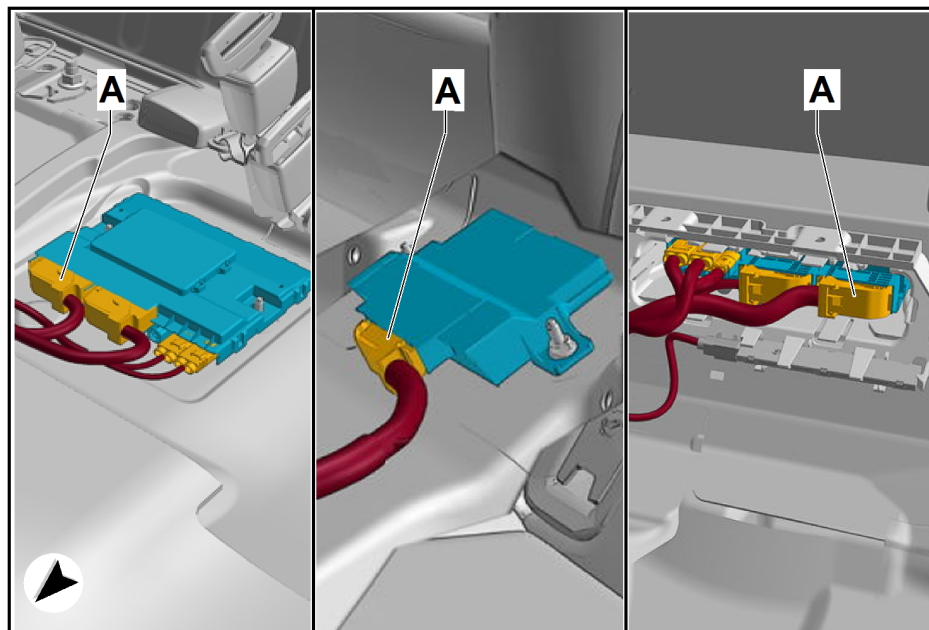
NOTICE

For vehicles where chambers 30 and 12 on connector -A- are not occupied by pins, the loose wires (orange/brown for chamber 30 and ¹⁾ for chamber 12) from the reversing camera retrofit wiring harness must be pinned directly into connector -A-.

- Insert the enclosed connector housing (1C0.973.119.B) into the black connector housing (3D0.973.332) on the reversing camera retrofit wiring harness as contact protection, attach the cables to the wiring harness and secure them to prevent noise.

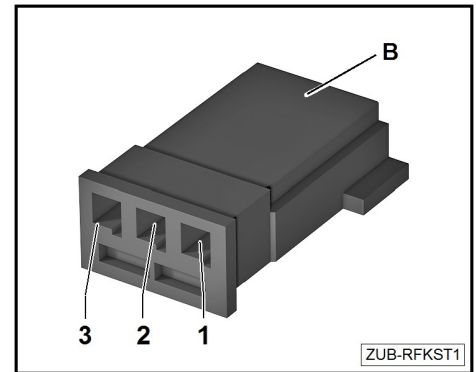
- Unclip connector -A- from the data bus diagnostic interface -J533- and individually unpin the following compartments.

Unpin the orange/brown wire from compartment 30.



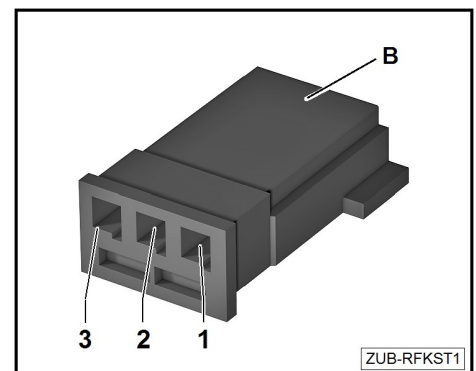


- Pin the unpinned contact -30- into the connector housing provided -B- (1C0.973.119.B) in compartment -1-.
- Pin the loose orange/brown wire on the reversing camera wiring harness into the free compartment -30- in connector -A-.



Unpin the wire ¹⁾ from compartment 12.

- Pin the unpinned contact -12- into the connector housing provided -B- (1C0.973.119.B) in compartment -3- and insert the connector housing into the corresponding connector on the wiring harness.
- Pin the loose wire ¹⁾ on the reversing camera wiring harness into the free compartment -12- in connector -A-.
- Reinsert connector -A- into the data bus diagnostic interface -J533- and lock in place.



¹⁾ Wire colour may vary in accordance with Gitta.



4.2 Connecting the wiring harness 8W5.054.733 and 8W5.054.733.B to control unit 1 for information electronics -J794- (MIB 2*)

Connecting to control unit 1 for information electronics -J794- connector -2 area D-

NOTICE

Applies to the Audi Q5 2017 ▶ 2019, A4/A5 2016 ▶ 2019, A6 Avant/Allroad 2019 ▶ 2020.

- The video wire adapter (length 10 cm) included with wiring harness 8W5.054.733.B is not required for these model years.
- For Audi Q5 ▶ 2020, A4/A5 ▶ 2020 and A6 Avant/Allroad ▶ 2021 vehicles, see chapter 4.3.

- Unclip the connector -2- from control unit 1 for information electronics -J794-.

- Individually unpin the following compartments on connector -2 area D-.

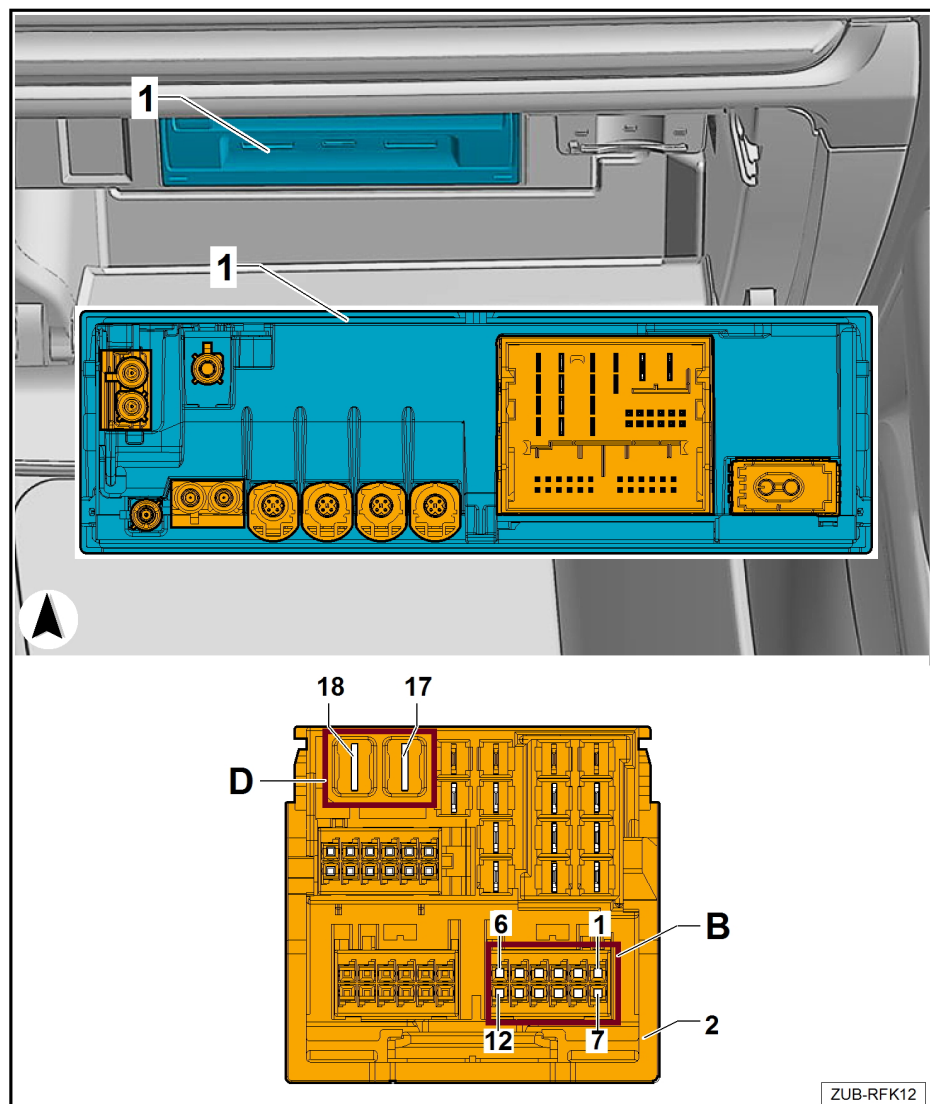
Unpin compartment 17.

- Pin the unpinned contact -17- into the connector housing provided (5C6.973.752) in compartment -1-.
- Pin the loose brown wire on the reversing camera wiring harness into the free compartment -17- in connector -2 area D-.

Unpin chamber 18.

- Pin the unpinned contact -18- into the connector housing provided (5C6.973.752) in compartment -2- and insert the connector housing into the corresponding connector on the wiring harness.

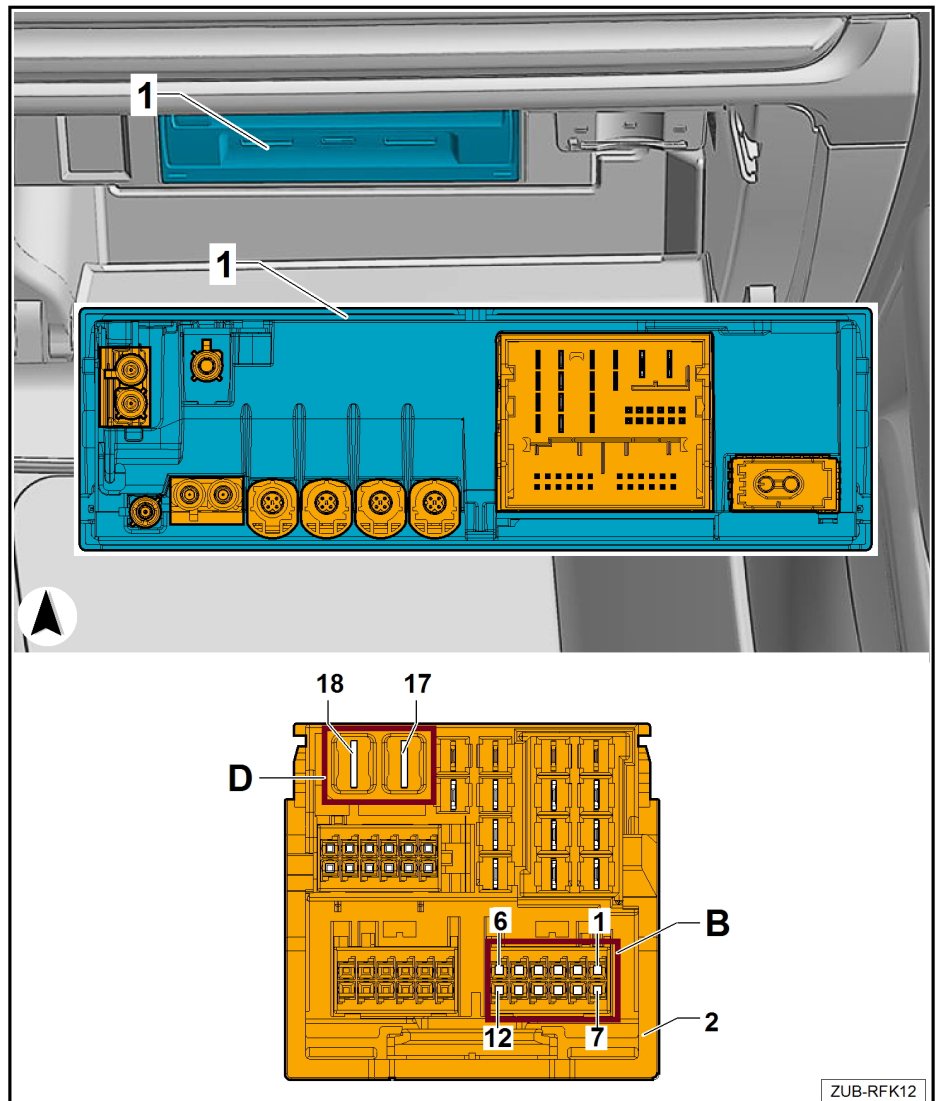
- Pin the loose red/yellow wire on the reversing camera wiring harness into the free compartment -18- in connector -2 area D-.



ZUB-RFK12

Connecting to control unit 1 for information electronics -J794- connector -2 area B-

- Pin the loose white -Video Out- wire on the reversing camera wiring harness into the free compartment -6 In Plus- in connector -2 area B-.
- Pin the loose black -Video Out GND- wire on the reversing camera wiring harness into the free compartment -12 In Minus- in connector -2 area B-.
- Reinsert the connector -2- back into control unit 1 for information electronics -J794- and lock in place.





4.3 Connecting the wiring harness 8W5.054.733.B to control unit 1 for information electronics -J794- (MIB 3)

Connecting to control unit 1 for information electronics -J794- connector -2 area D-

NOTICE

Wiring harness 8W5.054.733.B must be fitted to Audi Q5 ► 2020, A4/A5 ► 2020 and A6 Avant/ Allroad ► 2021 vehicles.

- The included video wire adapter must also be used.

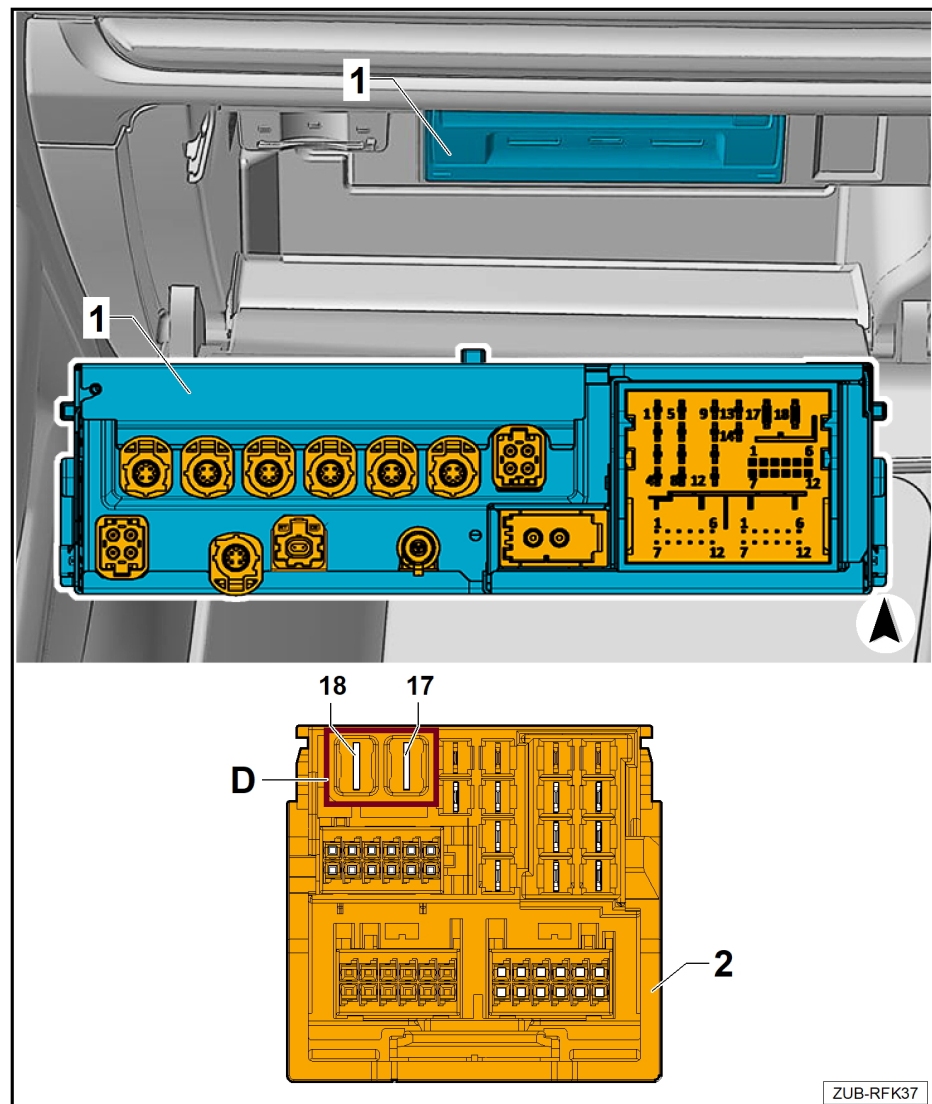
- Unclip the connector -2- from control unit 1 for information electronics -J794-.
- Individually unpin the following compartments on connector -2 area D-.

Unpin compartment 17.

- Pin the unpinned contact -17- into the connector housing provided (5C6.973.752) in compartment -1-.
- Pin the loose brown wire on the reversing camera wiring harness into the free compartment -17- in connector -2 area D-.

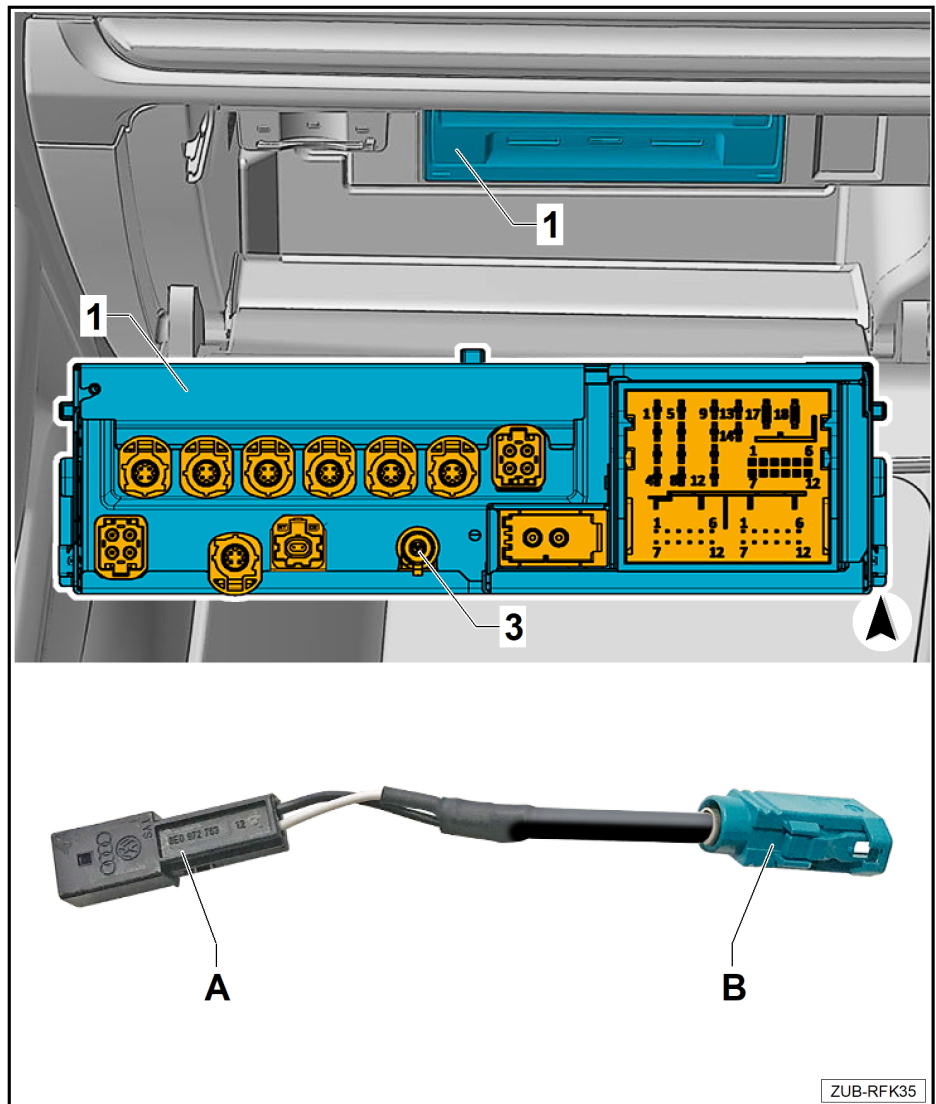
Unpin chamber 18.

- Pin the unpinned contact -18- into the connector housing provided (5C6.973.752) in compartment -2- and insert the connector housing into the corresponding connector on the wiring harness.
- Pin the loose red/ yellow wire on the reversing camera wiring harness into the free compartment -18- in connector -2 area D-.
- Reinsert the connector -2- back into control unit 1 for information electronics -J794- and lock in place.

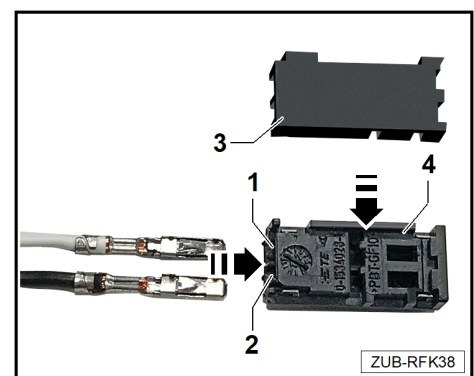


Connection to control unit 1 for information electronics -J794- on the connector -3-

- Connect the connector -B- of the short wire adapter to the connection -3- on control unit 1 for information electronics -J794-.



- Pin the loose white -Video Out- wire on the reversing camera wiring harness into the free compartment -1- of the connector housing 4B0 972 623 included in the scope of delivery.
- Pin the loose black -Video Out GND- wire on the reversing camera wiring harness into the free compartment -2- of the connector housing 4B0 972 623 included in the scope of delivery.
- Clip the cover -3- onto the connector housing 4B0 972 623 -4-, making sure that it clicks into place.
- Connect the pinned connector housing to the connector -A- of the video wire adapter.





4.4 Concluding operations

- Reassemble the vehicle by following these steps in reverse order.
- Connect the battery. ⇒ Electrical system; Rep. gr. 27; Battery; Disconnecting and connecting the battery

If the battery is being reconnected, the following steps must be taken:

- ◆ Activate the one-touch opening and closing of the electric windows ⇒ operating instructions.
- ◆ Synchronise the secondary and additional keys to ensure the remote control functions correctly. To do this, insert the key into the ignition lock, switch the ignition on and off again and then remove the key.

TIP

After reconnecting the power supply, the ESP warning light can only extinguish after a few metres have been driven.

- Perform the activation procedure for the reversing camera.
- Perform the calibration procedure for the reversing camera. ⇒ Communication; Rep. gr. 91; Reversing camera; Calibrate the reversing camera.
- Perform a function test for the reversing camera and the PDC.
- Clear the fault memory.