



Installation instructions

Audi A4 2015 ►

Audi A5 2015 ►

**CFP mirror cap set
CFP matt mirror cap set
for scope of delivery**

8W0.072.530. .3Q0

8W0.072.530.A .3Q0

8W0.072.530.B .3Q0

8W0.072.530.C .3Q0

Audi Genuine Accessories

Edition 06.2015



Contents

1	Notes	1
2	Parts overview	2
3	Sequence of operations	3
3.1	Removing the mirror cap of the exterior mirror	3
3.2	Installing the CFP mirror cap for the exterior mirror	5
4	Appendices: Certificates, expert evaluations	6



1 Notes

Please read and take note of these WARNING, Caution and Note descriptions before carrying out maintenance or repair work.



WARNING

Text with this symbol contains information concerning your safety and indicates potential accident and injury risks.



Caution

Text with this symbol indicates the risk of damage to your vehicle.



Note

Text with this symbol contains additional information.

AUDI AG will not accept responsibility in the event of failure to comply with these assembly instructions.



2 Scope of delivery

The CFP mirror cap set for the A4 / A5 exterior mirror without Audi side assist 8W0.072.530.-.3Q0 comprises the following components:

Units	Part number	Description
1	8W0.072.531. .3Q0	CFP mirror cap (left)
1	8W0.072.532.-.3Q0	CFP mirror cap (right)
		Fitting instructions

The CFP mirror cap set for the A4 / A5 exterior mirror with Audi side assist 8W0.072.530.A-.3Q0 comprises the following components:

Units	Part number	Description
1	8W0.072.531.A .3Q0	CFP mirror cap (left)
1	8W0.072.532.A-.3Q0	CFP mirror cap (right)
		Fitting instructions

The CFP matt mirror cap set for the A4 / A5 exterior mirror without Audi side assist 8W0.072.530.B-.3Q0 comprises the following components:

Units	Part number	Description
1	8W0.072.531.B .3Q0	CFP matt mirror cap (left)
1	8W0.072.532B.-.3Q0	CFP matt mirror cap (right)
		Fitting instructions

The CFP matt mirror cap set for the A4 / A5 exterior mirror with Audi side assist 8W0.072.530.C-.3Q0 comprises the following components:

Units	Part number	Description
1	8W0.072.531.C .3Q0	CFP matt mirror cap (left)
1	8W0.072.532.C-.3Q0	CFP matt mirror cap (right)
		Fitting instructions



3 Sequence of operations

3.1 Removing the mirror cap of the exterior mirror

Special tools and workshop equipment required

- ◆ Suction lifter -VAG 1344-
- ◆ Protective gloves

⚠ WARNING

- ◆ *Wear protective gloves — risk of injury.*

⚠ Caution

Mask the area around the mirror housing with fabric tape to protect the paintwork.

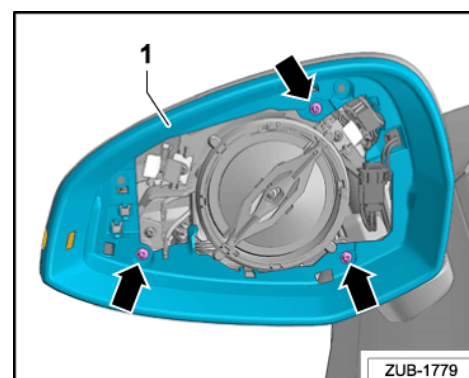
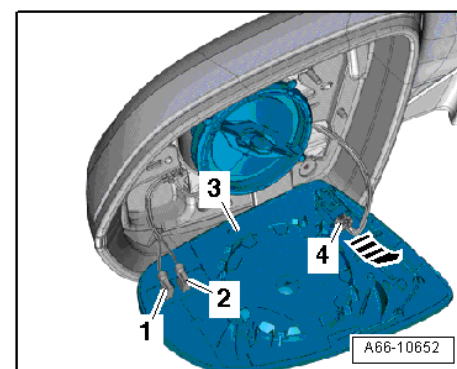
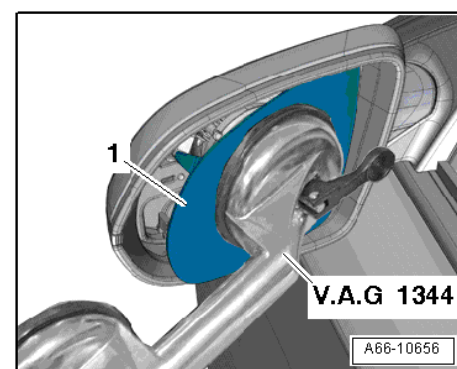
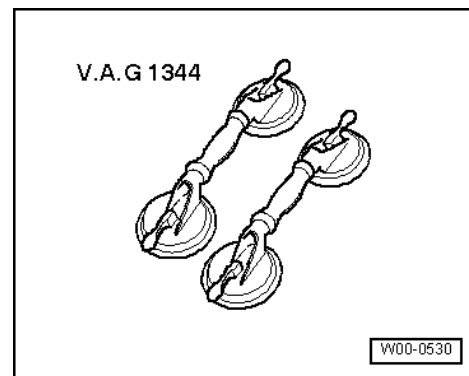
Removing the mirror glass for the exterior mirror:

- Attach the suction lifter -VAG 1344- to the centre of the mirror glass -1-, as shown in the illustration.
- Remove the mirror glass from the mirror adjustment unit using the suction lifter -VAG 1344-.

- Disconnect the electrical connectors for heating the mirror glass -1, 2- on the rear side of the mirror glass -3- (equipment variant).
- If fitted, unclip the electrical connector -4- from the holder -arrow- and disconnect the connector.

Removing the mirror trim for the exterior mirror:

- Unscrew the securing bolts -arrows- from the mirror trim for the exterior mirrors -1-.

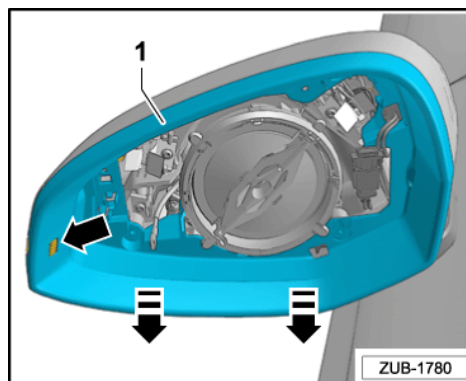




- Remove the mirror trim for the exterior mirrors -1- by pulling the trim forwards in the -direction indicated by the arrow-.

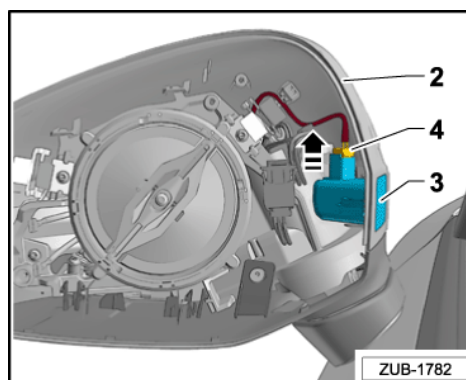
⚠ Caution

When removing the mirror trim for the exterior mirrors -1-, be careful with the bulb for the turn signal in the exterior mirror -L131-/ -L132- -arrow-.

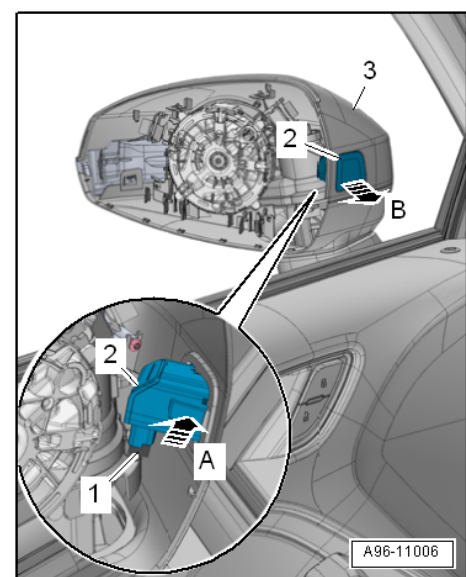


Removing the warning lamp for the Audi side assist in the exterior mirror -K233-/ -K234- (equipment variant):

- On vehicles with the Audi side assist, disconnect the electrical connector -4- to the warning lamp for the Audi side assist -3- by pulling the connector in the -direction indicated by the arrow-.

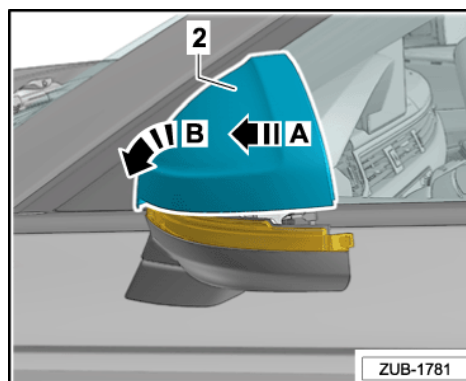


- Release the retaining latch in the -direction indicated by arrow A-.
- Press out the warning lamp for the Audi side assist in the exterior mirror -K233-/ -K234- -2- from the mirror cap for the exterior mirror -3- by pressing the bulb in the -direction indicated by arrow B-.



Removing the mirror cap for the exterior mirror:

- Slide the mirror cap for the exterior mirror -2- in the -direction indicated by arrow A- and pull the mirror cap downwards in the -direction indicated by arrow B- to disconnect it.

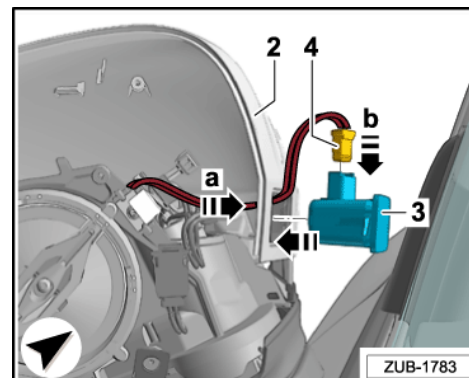




3.2 Installing the CFP mirror cap for the exterior mirror

Install the warning lamp for the Audi side assist in the exterior mirror -K233-/ -K234- (equipment variant):

- Thread the cable of the electrical connector -4- through the opening in the CFP mirror cap for the exterior mirror -2-, working in the -direction indicated by arrow A-.
- Securely insert the electrical connector -4- in the warning lamp for the Audi side assist in the exterior mirror -K233-/ -K234- -3- working in -the direction indicated by arrow B-.



Installing the CFP mirror cap -2- for the exterior mirror:

Installation is carried out in reverse order: ⇒ [Page 4](#)

- Securely insert the warning lamp for the Audi side assist in the exterior mirror -K233-/ -K234- -3- in the -direction indicated by the arrow-, ensuring that it audibly engages.

Installing the mirror trim for the exterior mirror:

Installation is carried out in reverse order: ⇒ [Page 3](#)

- Screw in securing bolts -arrows- to the tightening torque.

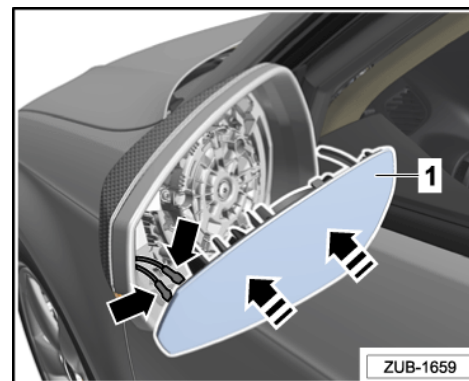
Tightening torque	Nm
Securing bolts -arrows- in the CFP mirror cap for the exterior mirror	1.5

Installing the mirror glass:

⚠ Caution

When pressing the mirror glass into place, only put pressure on the centre of the mirror.

- Connect the electrical connectors for the heating unit -arrow- on the rear side of the mirror glass (equipment variant).
- Position the mirror glass -1- on the mirror adjustment unit and press the mirror glass -1- in the -direction indicated by the arrow-.





4 Appendices: Certificates, expert evaluations

The following are included after the installation instructions:

- ◆ Excerpt from the design certification issued by the German Federal Motor Transport Authority
- ◆ Certificate from TÜV SÜD Auto Service GmbH (Technischer Überwachungs Verein/Technical testing organisation)

 **Note**

Enclose any required country-specific documents from the appendix with the vehicle documents, so that these can be presented to authorised persons upon request.