



Installation instructions

Audi Q3 2012▶

Pedal covers

Audi Genuine Accessories®

Edition 09.2013



Contents

1	General notes	1
2	Parts overview and tools	2
3	Sequence of operations	4
3.1	Automatic gearboxes: Removing and installing the pedal covers on the accelerator and brake pedals (left-hand drive vehicles)	4
3.2	Automatic gearboxes: Removing and installing the pedal covers on the accelerator and brake pedals (right-hand drive vehicles)	6
3.3	Manual gearboxes: Removing and installing the pedal covers on the accelerator, brake and clutch pedals (left-hand drive vehicles)	8
3.4	Manual gearboxes: Removing and installing the pedal covers on the accelerator, brake and clutch pedals (right-hand drive vehicles)	10



1 General notes

Please read and take note of these WARNING, Caution and Note descriptions before carrying out maintenance or repair work.



WARNING

Text with this symbol contains information concerning your safety and indicates potential accident and injury risks.



Caution

Text with this symbol indicates the risk of damage to your vehicle.



Note

Text with this symbol contains additional information.

The pages that follow contain all of the information (subject to technical change) required to install and remove the pedal covers used in the vehicle.

Incorrect installation can cause damage to the pedal covers.



WARNING

The pedal covers must be installed by a specialist workshop.

- ◆ ***If the pedal cover is not installed correctly, it may cause the accelerator pedal to jam, resulting in hazardous driving conditions — risk of accident.***
- ◆ ***If the pedal cover on the brake or accelerator pedal is loose, it may slip off the pedal in an emergency situation — risk of accident.***

Audi AG shall not accept responsibility in the event of failure to comply with these assembly instructions.



2 Parts overview and tools

Pedal cover sets required:

Pedal covers (set) for left-hand drive automatic gearboxes for the Audi Q3 8U1.064.205

Comprising:

Units	Part number	Description
1	1K0.723.131	Brake pedal cover
1	1K1.723.503.AN	Accelerator pedal module cover
1		Installation instructions

Pedal covers (set) for right-hand drive automatic gearboxes for the Audi Q3 8U2.064.205

Comprising:

Units	Part number	Description
1	1K0.723.131	Brake pedal cover
1	1K2.723.503.AH	Accelerator pedal module cover
1		Installation instructions

Pedal covers (set) for left-hand drive manual gearboxes for the Audi Q3 8U1.064.200

Comprising:

Units	Part number	Description
1	1K1.721.601	Clutch pedal cover
1	1K0.721.131	Brake pedal cover
1	1K1.721.503.AR	Accelerator pedal module cover
1		Installation instructions

Pedal covers (set) for right-hand drive manual gearboxes for the Audi Q3 8U2.064.200

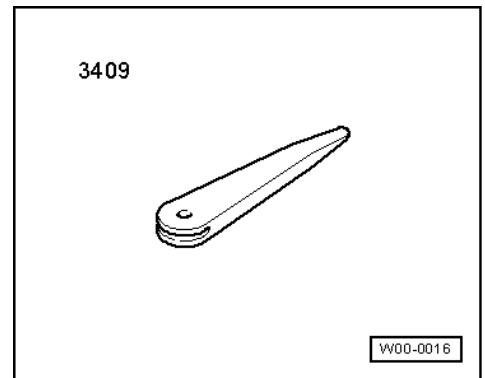
Comprising:

Units	Part number	Description
1	1K2.721.601	Clutch pedal cover
1	1K0.721.131	Brake pedal cover
1	1K2.721.503.AH	Accelerator pedal module cover
1		Installation instructions

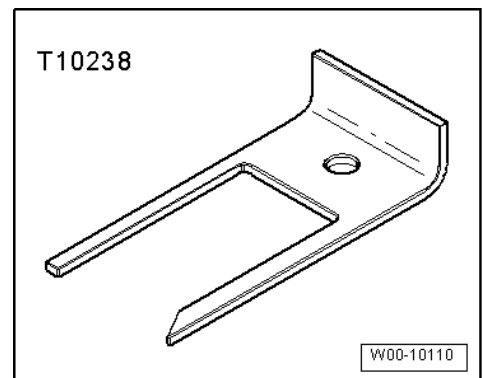


Special tools and workshop equipment required

- ◆ Removal wedge -3409-

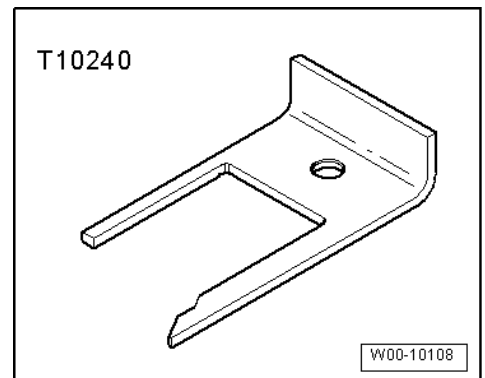


- ◆ Release tool -T10238-



- ◆ Release tool -T10240-

- ◆ Cleaning solution D 009 401 04





3 Sequence of operations

3.1 Automatic gearboxes: Removing and installing the pedal covers on the accelerator and brake pedals (left-hand drive vehicles)

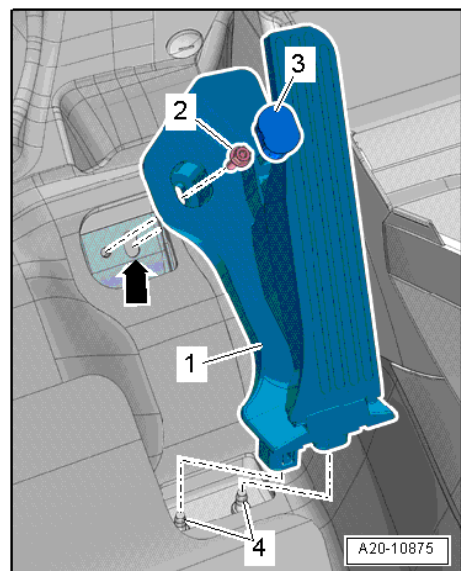
3.1.1 Removing the pedal cover and accelerator pedal module

Brake pedal

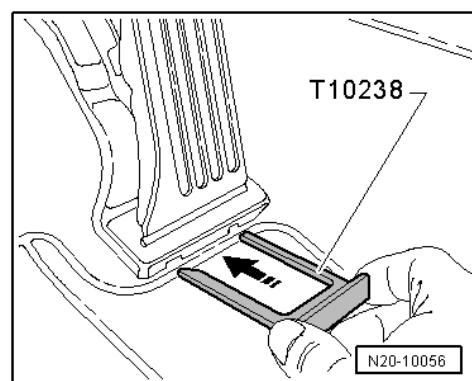
- Remove the pedal cover using the removal wedge -3409-.

Accelerator pedal module

- The ignition must be switched off!
- Remove the floor mat from the vehicle.
- Using a screwdriver, prise off the cover -3- and unscrew the securing bolt -2- located behind.
- Lift the accelerator pedal module -1- out of the fixture -arrow-.

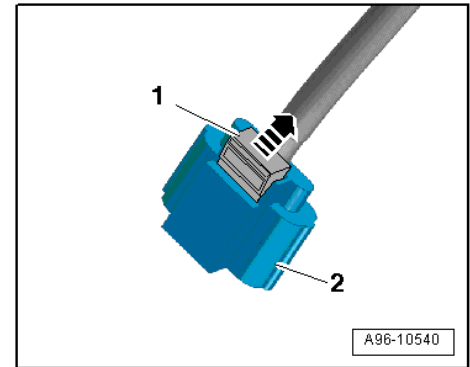


- Slide the release tool -T10238- into the openings provided as far as it will go -in the direction of the arrow-.
- Unclip the accelerator pedal module -1- from the catches -4- and pull upwards to remove.





- Disconnect the electrical connector -2- on the accelerator pedal module -1-. To do so, push the release tab -1- upwards -in the direction of the arrow-.



3.1.2 Installing the pedal cover and accelerator pedal module

⚠ WARNING

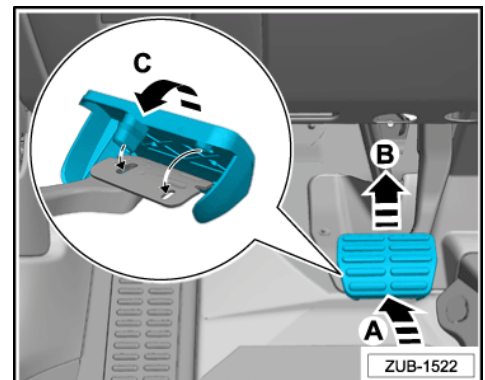
Under no circumstances use silicone spray or tyre mounting paste when installing the pedal covers.

It is best to use cleaning solution D 009 401 04 to clean the pedals and covers, as special rubber care products will cause the pedal cover surfaces to become slippery.

- *Risk of accident caused by the driver's feet slipping from the pedal as well as the pedal cover becoming loose.*

Brake pedal

- Starting from underneath -in the direction of arrow A-, pull the pedal cover over the pedal -in the direction of arrow B-. Make sure that the central guide parts are in the correct position on the pedal -in the direction of arrow C-.
- Use a mirror to check that the outer rubber lip is in the correct position. Do the same for the central guide parts on the brake pedal.

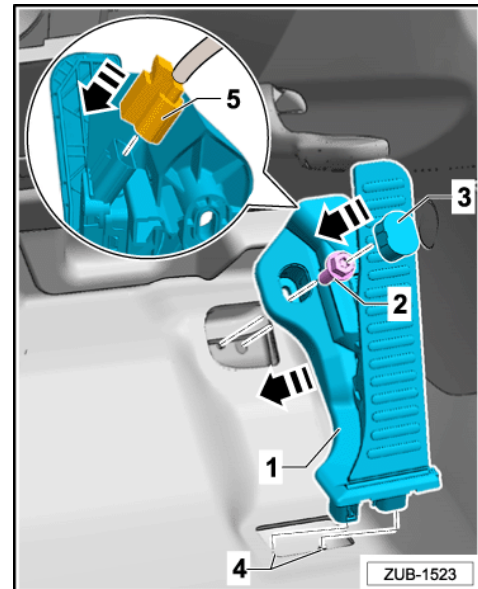




Accelerator pedal module

- Attach the electrical connector -5- on the accelerator pedal module -1- in the direction of the arrow-.
- Bring the accelerator pedal module -1- into position -in the direction of the arrow-, pushing the catches -4- into the fixture.
- Screw in securing bolt -2- to the tightening torque in the -direction of the arrow-.
- Clip the cover -3- onto the accelerator pedal module.
- Re-install the floor mat that was removed earlier.

Tightening torque	Nm
Securing bolt -2-	9



3.2 Automatic gearboxes: Removing and installing the pedal covers on the accelerator and brake pedals (right-hand drive vehicles)

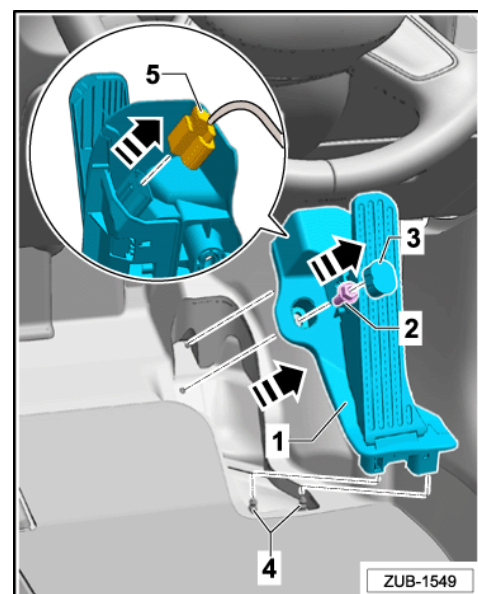
3.2.1 Removing the pedal cover and accelerator pedal module

Brake pedal

- Remove the pedal cover using the removal wedge -3409-.

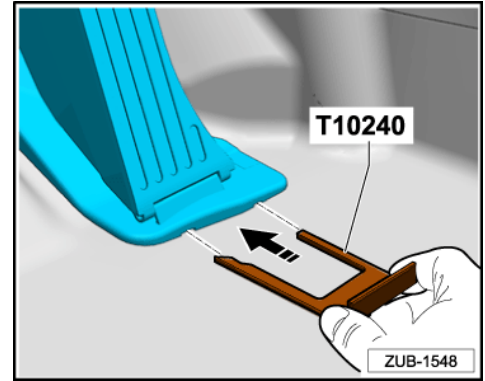
Accelerator pedal module

- The ignition must be switched off!
- Remove the floor mat from the vehicle.
- Using a screwdriver, prise off the cover -3- and unscrew the securing bolt -2- located behind -in the direction of the arrow-.
- Lift the accelerator pedal module -1- out of the fixture -in the direction of the arrow-.

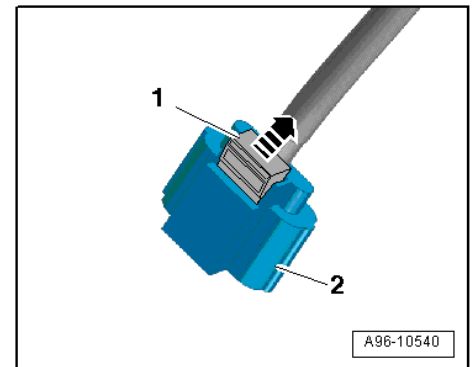




- Slide the release tool -T10240- into the openings provided as far as it will go -in the direction of the arrow-.
- Unclip the accelerator pedal module -1- from the catches -4- and pull upwards to remove.



- Disconnect the electrical connector -2- on the accelerator pedal module -1-. To do so, push the release tab -1- upwards -in the direction of the arrow-.



3.2.2 Installing the pedal cover and accelerator pedal module

WARNING

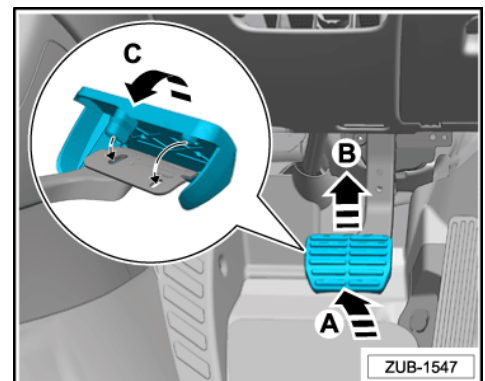
Under no circumstances use silicone spray or tyre mounting paste when installing the pedal covers.

It is best to use cleaning solution D 009 401 04 to clean the pedals and covers, as special rubber care products will cause the pedal cover surfaces to become slippery.

- ***Risk of accident caused by the driver's feet slipping from the pedal as well as the pedal cover becoming loose.***

Brake pedal

- Starting from underneath -in the direction of arrow A-, pull the pedal cover over the pedal -in the direction of arrow B-. Make sure that the central guide parts are in the correct position on the pedal -in the direction of arrow C-.
- Use a mirror to check that the outer rubber lip is in the correct position. Do the same for the central guide parts on the brake pedal.

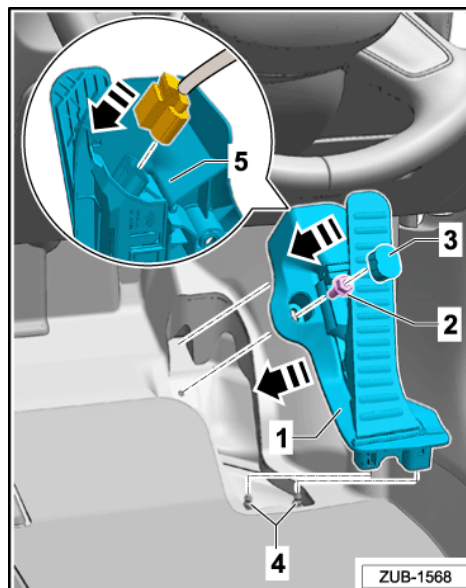




Accelerator pedal module

- Attach the electrical connector -5- on the accelerator pedal module -1- in the direction of the arrow-.
- Bring the accelerator pedal module -1- into position -in the direction of the arrow-, pushing the catches -4- into the fixture.
- Screw in securing bolt -2- to the tightening torque in the -direction of the arrow-.
- Clip the cover -3- onto the accelerator pedal module.
- Re-install the floor mat that was removed earlier.

Tightening torque	Nm
Securing bolt -2-	9



3.3 Manual gearboxes: Removing and installing the pedal covers on the accelerator, brake and clutch pedals (left-hand drive vehicles)

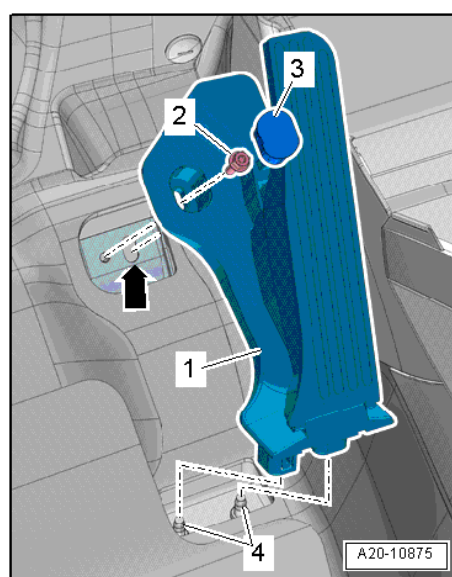
3.3.1 Removing the pedal covers and accelerator pedal module

Brake and clutch pedals

- Remove the pedal cover using the removal wedge -3409-.

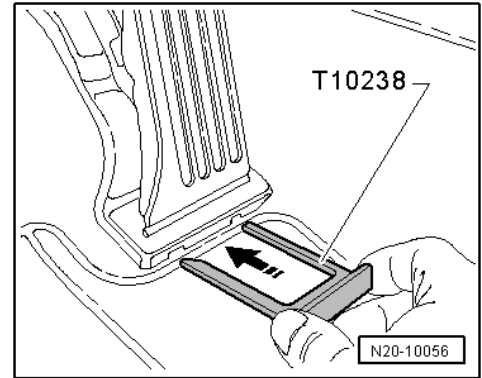
Accelerator pedal module

- The ignition must be switched off!
- Remove the floor mat from the vehicle.
- Using a screwdriver, prise off the cover -3- and unscrew the securing bolt -2- located behind.
- Lift the accelerator pedal module -1- out of the fixture -arrow-.

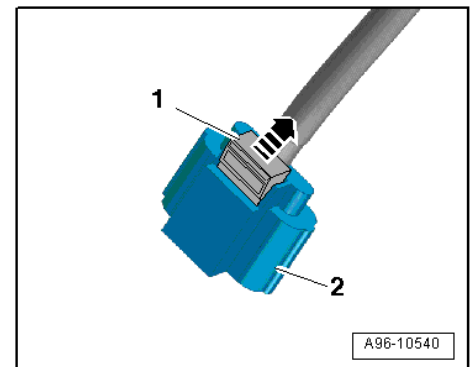




- Slide the release tool -T10238- into the openings provided as far as it will go -in the direction of the arrow-.
- Unclip the accelerator pedal module -1- from the catches -4- and pull upwards to remove.



- Disconnect the electrical connector -2- on the accelerator pedal module -1-. To do so, push the release tab -1- upwards -in the direction of the arrow-.



3.3.2 Installing the pedal covers and accelerator pedal module

WARNING

Under no circumstances use silicone spray or tyre mounting paste when installing the pedal covers.

It is best to use cleaning solution D 009 401 04 to clean the pedals and covers, as special rubber care products will cause the pedal cover surfaces to become slippery.

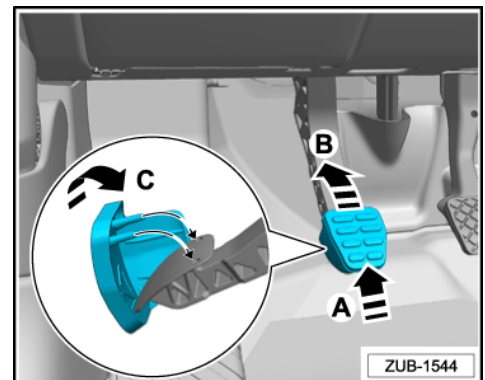
- *Risk of accident caused by the driver's feet slipping from the pedal as well as the pedal cover becoming loose.*

Clutch pedal

- Starting from underneath -in the direction of arrow A-, pull the pedal cover over the pedal -in the direction of arrow B-. Make sure that the central guide parts are in the correct position on the pedal -in the direction of arrow C-.

Note

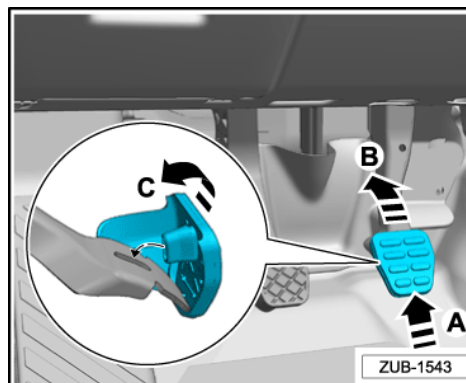
Using a pair of pliers, pull the two guide parts through the clutch carrier plate from behind -direction of arrow C- until the guide parts engage.





Brake pedal

- Starting from underneath -in the direction of arrow A-, pull the pedal cover over the pedal -in the direction of arrow B-. Make sure that the central guide part -in the direction of arrow C- is in the correct position on the pedal.

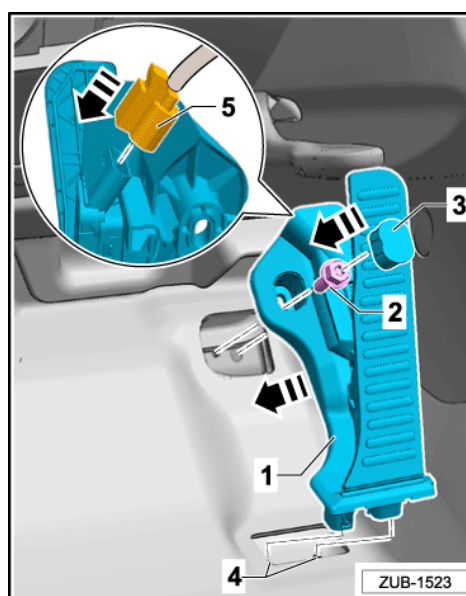


All pedals

- Use a mirror to check that the outer rubber lip is in the correct position. Do the same for the central guide parts on the brake pedal.

Accelerator pedal module

- Attach the electrical connector -5- on the accelerator pedal module -1- -in the direction of the arrow-.
- Bring the accelerator pedal module -1- into position -in the direction of the arrow-, pushing the catches -4- into the fixture.
- Screw in securing bolt -2- to the tightening torque in the -direction of the arrow-.
- Clip the cover -3- onto the accelerator pedal module.
- Re-install the floor mat that was removed earlier.



Tightening torque	Nm
Securing bolt -2-	9

3.4 Manual gearboxes: Removing and installing the pedal covers on the accelerator, brake and clutch pedals (right-hand drive vehicles)

3.4.1 Removing the pedal covers and accelerator pedal module

Brake and clutch pedals

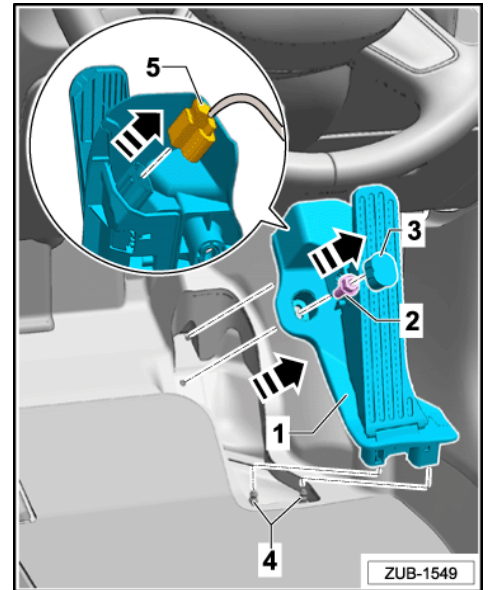
- Remove the pedal cover using the removal wedge -3409-.

Accelerator pedal module

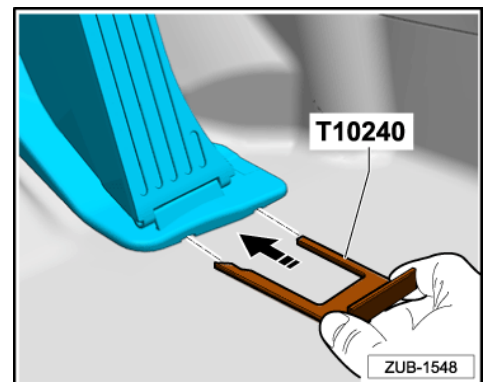
- The ignition must be switched off!
- Remove the floor mat from the vehicle.



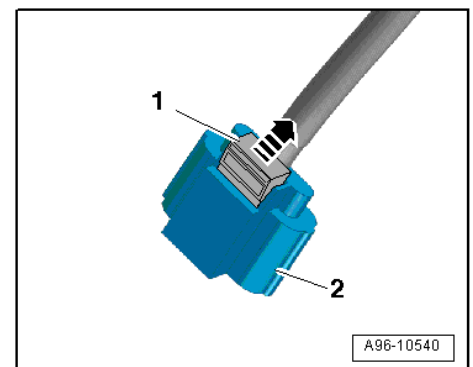
- Using a screwdriver, prise off the cover -3- and unscrew the securing bolt -2- located behind -in the direction of the arrow-.
- Lift the accelerator pedal module -1- out of the fixture -in the direction of the arrow-.



- Slide the release tool -T10240- into the openings provided as far as it will go -in the direction of the arrow-.
- Unclip the accelerator pedal module -1- from the catches -4- and pull upwards to remove.



- Disconnect the electrical connector -2- on the accelerator pedal module -1-. To do so, push the release tab -1- upwards -in the direction of the arrow-.





3.4.2 Installing the pedal covers and accelerator pedal module

WARNING

Under no circumstances use silicone spray or tyre mounting paste when installing the pedal covers.

It is best to use cleaning solution D 009 401 04 to clean the pedals and covers, as special rubber care products will cause the pedal cover surfaces to become slippery.

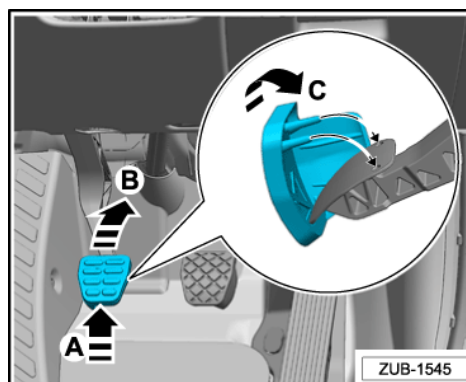
- *Risk of accident caused by the driver's feet slipping from the pedal as well as the pedal cover becoming loose.*

Clutch pedal

- Starting from underneath -in the direction of arrow A-, pull the pedal cover over the pedal -in the direction of arrow B-. Make sure that the central guide parts are in the correct position on the pedal -in the direction of arrow C-.

Note

Using a pair of pliers, pull the two guide parts through the clutch carrier plate from behind -direction of arrow C- until the guide parts engage.

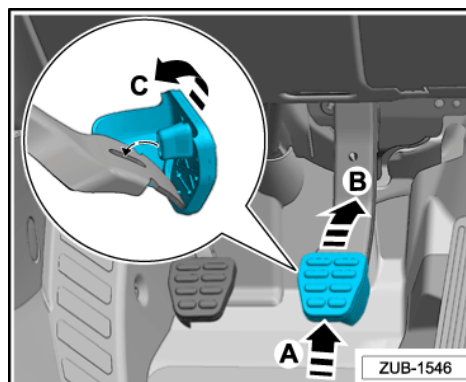


Brake pedal

- Starting from underneath -in the direction of arrow A-, pull the pedal cover over the pedal -in the direction of arrow B-. Make sure that the central guide part -in the direction of arrow C- is in the correct position on the pedal.

All pedals

- Use a mirror to check that the outer rubber lip is in the correct position. Do the same for the central guide parts on the brake pedal.





Accelerator pedal module

- Attach the electrical connector -5- on the accelerator pedal module -1- in the direction of the arrow-.
- Bring the accelerator pedal module -1- into position in the direction of the arrow-, pushing the catches -4- into the fixture.
- Screw in securing bolt -2- to the tightening torque in the direction of the arrow-.
- Clip the cover -3- onto the accelerator pedal module.
- Re-install the floor mat that was removed earlier.

Tightening torque	Nm
Securing bolt -2-	9

