

Installation instructions

Audi Q5 (FY) 2017 ►

Running board

**Scope of delivery 80A.071.691.A and
80A.071.691.B**

Audi Genuine Accessories

Edition 02



Contents

1	Notes	1
1.1	General notes	1
1.2	Notes and preparations	1
1.3	Notes on assembly	2
1.4	Information for working with the assembly adhesive	3
1.5	Instructions for raising the vehicle	3
2	Safety notes	5
2.1	General safety notes	5
3	Overview of components and scope of delivery	6
3.1	Overview of components and torque values	6
3.2	Scope of delivery	8
4	Removing the underbody trim panels	11
4.1	Overview of underbody trim panels	11
4.2	Removing the underbody trim panels	11
4.2.1	Removing the noise insulation with underbody trim panel -3-	12
4.2.2	Removing the cross piece trim -4-	12
4.2.3	Removing the rear left cover -1-	12
4.2.4	Removing the rear left underbody trim panel -7-	13
4.2.5	Removing the rear right underbody trim panel -8-	13
4.2.6	Removing the middle left underbody trim panel -6-	13
4.2.7	Removing the front left underbody trim panel -10-	14
5	Preparing the underbody	15
5.1	Finding/exposing the mounting points	15
5.2	Inserting pop rivet nuts correctly	17
5.3	Preparing the front of the underbody before installing the support parts	18
5.4	Preparing the middle of the underbody before installing the support parts	18
5.5	Preparing the rear of the underbody before installing the support parts	18
6	Installing the support parts and the running board	19
6.1	Tightening torques for the support part and the running board	20
6.2	Pre-assembling the top cover of the support part	20
6.3	Installing the front support part -2-	21
6.4	Installing middle support part 1 -4-	21
6.5	Installing rear support part 1 -8-	21
6.6	Installing the running board	22
6.7	Installing the top support brace cover	25
7	Installing the underbody trim panels	26
7.1	Preparing and installing the underbody trim panels	26



7.1.1	Installing the front underbody trim panel	26
7.1.2	Installing the middle underbody trim panel	26
7.1.3	Installing the rear underbody trim panel	27
7.1.4	Installing the rear cover	27
7.1.5	Installing the cross piece trim	28
7.1.6	Installing the noise insulation with underbody trim panel	28
8	Assembly sequence for the running board add-on component	29
8.1	Installing the bottom running board cover	30
8.2	Installing the bottom support brace cover	30
8.2.1	Front bottom support brace cover	30
8.2.2	Middle bottom support brace cover	30
8.2.3	Rear cover	31
8.3	Concluding operations	31
8.3.1	Assembling the spindle sleeve for the jack	31
8.3.2	Jack adapter storage location	33
8.4	Installing the jack adapter	33
9	Appendices: Certificates, expert evaluations	34
9.1	Change history	34





1 Notes

1.1 General notes

Please read these instructions carefully and note the WARNING, Caution and Note descriptions before installing the running board.



WARNING

Text with this symbol contains information concerning your safety and indicates potential accident and injury risks.



Caution

Text with this symbol indicates the risk of damage to your vehicle.



Note

Text with this symbol contains additional information.



Compass arrow

The compass arrow shown in the images serves as an orientation aid and points in the “forwards” driving direction of the vehicle.

AUDI AG shall not accept responsibility in the event of failure to comply with these installation instructions.

1.2 Notes and preparations



WARNING

The "Information sheet for wheel mounting on the Audi Q5 (FY)" should be enclosed with the general owner's manual. The customer should be made aware of the specific points in person during handover.



WARNING

The installation instructions and the corresponding approval documents must be handed over to the customer.

The customer is to be informed that the approval documents must remain in the vehicle.

1. Before the running boards are installed, you must be familiar with the installation restrictions that apply for the vehicle ⇒ “Electronic parts catalogue ETKA”. Adherence to the relevant restrictions is mandatory.
2. Read the installation instructions carefully before you begin.
Audi AG shall not accept responsibility in the event of failure to comply with these installation instructions.
Non-compliance with these installation instructions and notes will compromise your safety and that of third parties.
3. Prior to beginning the installation, check that you have all the components from the scope of delivery.
4. Always maintain a high level of cleanliness – thoroughly clean all equipment areas and contact surfaces.



1.3 Notes on assembly

1. The assembly, repair and replacement of parts is to be carried out by an authorised workshop. Genuine spare parts available from your AUDI partner must always be used.
2. Improper installation and use of unsuitable tools can cause damage to the vehicle or the add-parts.
3. Recommendation: The running board should be installed by two people.
4. Special tools, aids and materials are required to perform the installation:
 - Rivet setting tool for pop rivets M8 (pop rivet studs & pop rivet nuts) – Recommendation: Rivkle P2007 from Böllhoff
 - Body saw -VAS 5108 oder VAS 6598 oder VAS 6780-
 - Use the coarse hacksaw blade included in the body saw -VAS 5108 oder VAS 6598 oder VAS 6780-set.
 - Hand-held drill
 - HSS drill bit (\varnothing 3.0/ \varnothing 7.0/ \varnothing 9.0/ \varnothing 10.0)
 - A wide range of socket sets: spanner and multi-point socket head tool including extensions and joints.
 - Socket for removing the underseal
 - Torque wrench (1–5 Nm)
 - Torque wrench (20-50 Nm)
 - 10-mm multi-point socket insert with square drive, 8 mm AF
 - Wedge -3409-
 - Utility knife, scraper
 - Key files, triangular file (edge length 5 mm)
 - Surface protection and bodywork sealant (see Workshop Manual for bodywork repairs)
 - Adhesive sealant: AKD 476.KD5.05 (320 ml)
 - Benzine, isopropanol and cleaning cloths
 - Threadlocking adhesive D 000.600.A2
5. The illustrations show only the driver's side, the passenger side should be treated as a mirror image. Deviations from this principle are shown separately.
6. The add-on component is precision-made. Before installing the component, check it for any damage or quality defects.
7. All unsealed surfaces resulting from the following body processing work:
 - Local removal of the underseal
 - Drilling and filing of mounting holes
 - Unintentional damage to surfaces (e.g. scratches/scoring) caused during removal of the underseal must be handled in accordance with the "VW Group Paintwork Guideline – Corrosion Protection". Corrosion protection must be properly re-established.
8. The PVC seam must be reduced/removed in the areas where the holding profiles/support braces are in contact with the PVC when they are screwed on to the vehicle and are influenced/distorted as a result of this. Non-compliance with these instructions can result in a setting loss that has a significant negative affect on the tightening torque.

1.4 Information for working with the assembly adhesive

1. Observe the expiry date of the assembly adhesive and its instruction leaflet.
2. The recommended working temperature for the assembly adhesive and the material that is to be bonded (vehicle and components) is between 15°C and 25°C.
3. The assembly process should be completed 10 minutes after opening the assembly adhesive.
4. The add-on components must be installed immediately after applying the assembly adhesive (observe the reaction time of the assembly adhesive).
5. Thoroughly clean the bonding surfaces immediately before installation using benzine and then isopropanol (flash-off time of isopropanol: approx. 5 min). If necessary, remove wax build-ups and underseal prior to this using a plastic spatula.
6. The bonding surfaces on the body and the add-on component must be completely dry, clean and free from wax and oil or grease.
7. Surfaces must not be contaminated and must not be touched from this point onwards.

1.5 Instructions for raising the vehicle

⚠ Caution

Improper use of the lifting platform may cause damage to the vehicle!

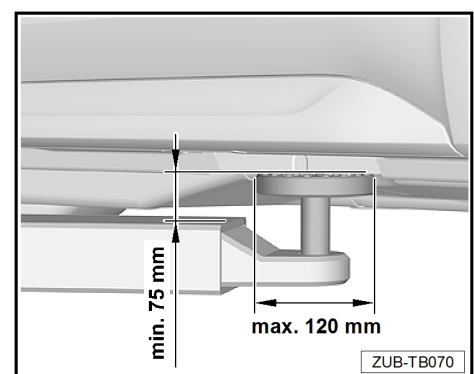
- ◆ **Do not exceed the permissible load city for the lifting platform.**
- ◆ **Only raise the vehicle at the jacking points shown.**
- ◆ **Align the support plate centrally under the jacking points.**
- ◆ **Maintain clearance between low-lying vehicle components and the lifting platform.**

There are a number of ways to raise the vehicle for the purpose of installing the running board:

- ◆ Inspection pit
- ◆ Lifting platform with holding fixture positioned at the vehicle wheels (recommended)
- ◆ Lifting platform with holding fixture positioned at the vehicle body/side member

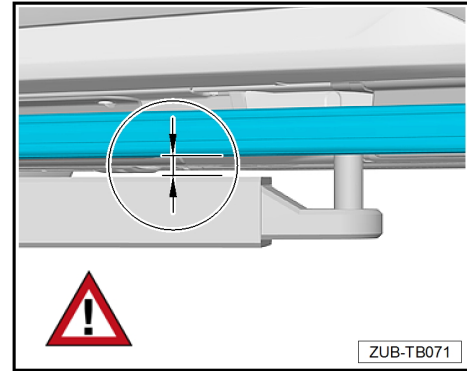
ℹ Note

- ◆ *The lifting platform support plates must not have a diameter greater than 120 mm.*
- ◆ *There must be sufficient height difference—at least 75 mm—between the contact surface of the lifting platform support plates and the upper edge of the support arm.*





- ◆ *The distance is reduced significantly if the running board is fitted on the vehicle.*
- ◆ *Position the lifting platform support plates on the specified holding fixtures marked on the underbody/side member.*
- ◆ *The positions of the jacking points are marked by a stamp on the side member trim.*





2 Safety notes

2.1 General safety notes

⚠ WARNING

The procedures and safety notes detailed in these instructions for the installation, handling and use of the running boards must always be observed.

- ◆ *The running board has a maximum load of 150 kg. This must not be exceeded.*
- ◆ *There is an increased risk of slipping on the running board in wet or icy conditions.*
- ◆ *Audi AG shall not accept responsibility for any damage caused by failure to observe specifications and through improper use.*
- ◆ *Deviating from these instructions can cause the running boards or the mounted add-on part to come loose.*
- ◆ *The running boards are designed such that the vehicle will not be damaged if components are installed, handled and used properly.*
- ◆ *The manufacturer is not liable for any damage resulting from failure to comply with the installation procedure or notes specified.*
- ◆ *All forms of warranty claim against the manufacturer are invalidated if installation, handling or use of the components is not carried out as specified in these instructions.*
- ◆ *Replace damaged components immediately.*
- ◆ *Do not use the running boards to transport loads.*



3 Overview of components and scope of delivery

3.1 Overview of components and torque values

1 - Running board, left and right

1x each

2 - Front left support part

1x

3 - Front right support part

1x

4 - Middle left support part 1

1x

5 - Middle right support part 1

1x

6 - Middle left support part 2

1x

7 - Middle right support part 2

1x

8 - Rear left support part 1

1x

9 - Rear right support part 1

1x

10 - Rear left support part 2

1x

11 - Rear right support part 2

1x

12 - Front top left support brace cover

1x

13 - Front top right support brace cover

1x

14 - Middle top left support brace cover

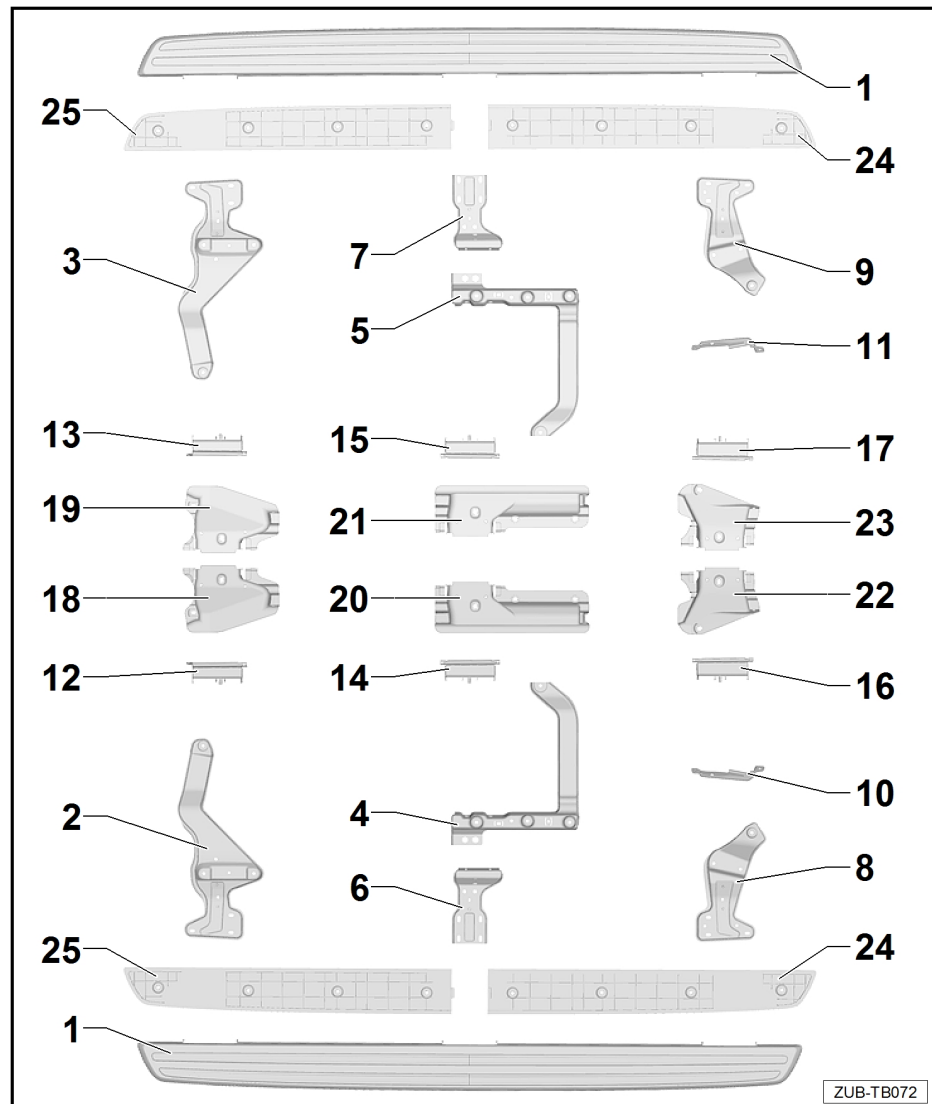
1x

15 - Middle top right support brace cover

1x

16 - Rear top left support brace cover

1x





17 - Rear top right support brace cover

1x

18 - Front bottom left support brace cover

1x

19 - Front bottom right support brace cover

1x

20 - Middle bottom left support brace cover

1x

21 - Middle bottom right support brace cover

1x

22 - Rear bottom left support brace cover

1x

23 - Rear bottom right support brace cover

1x

24 - Front bottom running board cover

2x

25 - Rear bottom running board cover

2x



26 - Flat head multi-point socket bolt

- M8 x 30
- 25 Nm
- 24x

27 - Multi-point socket head flange bolt

- M8 x 16
- 25 Nm
- 24x

28 - Pop rivet nut, long

- M8
- 20x

29 - Speed nut

- 18x

30 - Flat-head fitted bolt

- 5x16-Q
- 2.5 Nm
- 38x

31 - Screw

- TP4x16-Q
- 2.5 Nm
- 6x

32 - Multi-point socket pan head bolt

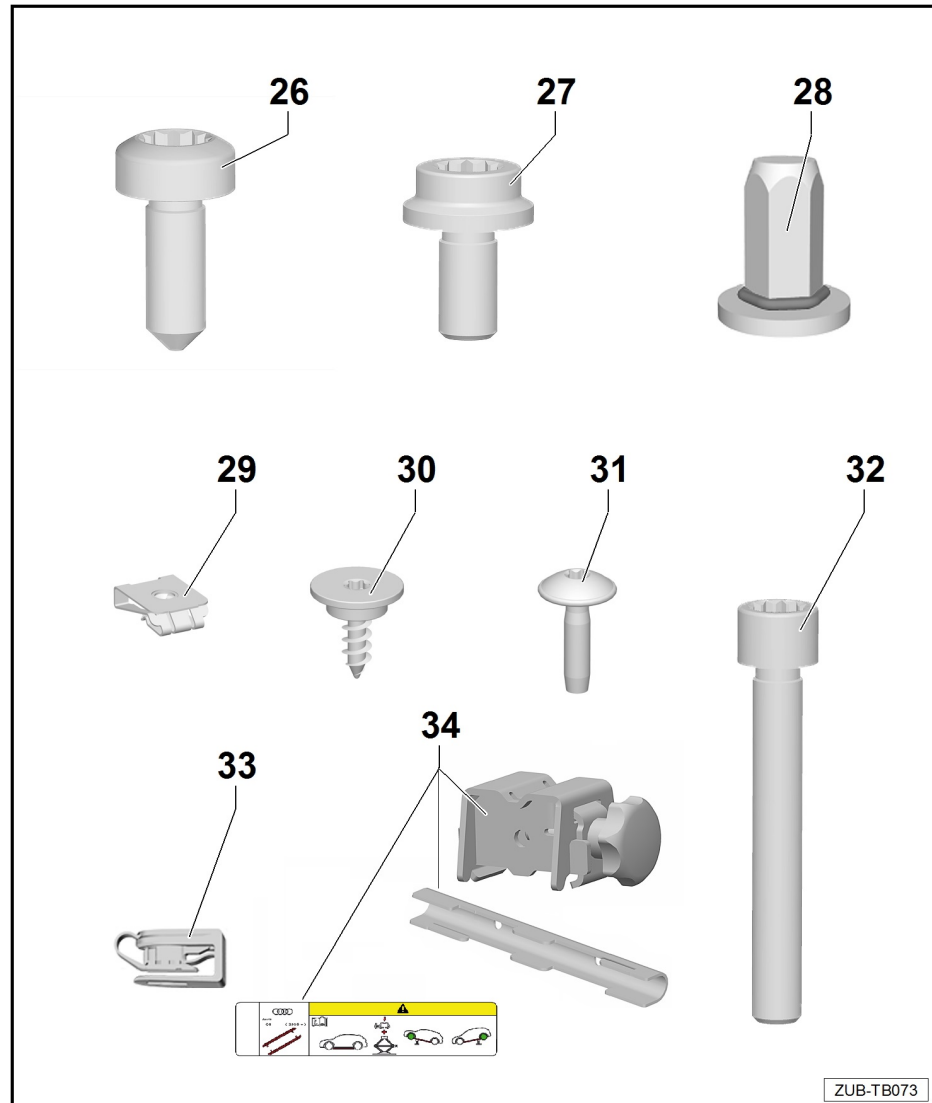
- M8x50
- 25 Nm
- 4x

33 - Plastic clip

- 4x

34 - Jack adapter set

- 1x
- Comprises:
 - Jack adapter
 - Spindle sleeve
 - Information sticker



ZUB-TB073

3.2 Scope of delivery

Position	Component designation	Quantity	Tightening torque	Part number
Running board				
1	Running board, left and right	2		80A.071.065
Support parts				
2	Front left support part	1		80A.071.982



Position	Component designation	Quantity	Tightening torque	Part number
3	Front right support part	1		80A.071.982.A
4	Middle left support part 1	1		80A.071.982.B
5	Middle right support part 1	1		80A.071.982.C
6	Middle left support part 2	1		80A.071.982.D
7	Middle right support part 2	1		80A.071.982.E
8	Rear left support part 1	1		80A.071.982.F
9	Rear right support part 1	1		80A.071.982.G
10	Rear left support part 2	1		80A.071.982.H
11	Rear right support part 2	1		80A.071.982.J
Support brace covers				
12	Front top left support brace cover sundry parts set	1		80A.071.999.
13	Front top right support brace cover sundry parts set	1		80A.071.999.A
14	Middle top left support brace cover sundry parts set	1		80A.071.999.D
15	Middle top right support brace cover sundry parts set	1		80A.071.999.E
16	Rear top left support brace cover sundry parts set	1		80A.071.999.H
17	Rear top right support brace cover sundry parts set	1		80A.071.999.J.
18	Front bottom left support brace cover sundry parts set	1		80A.071.999.B
19	Front bottom right support brace cover sundry parts set	1		80A.071.999.C
20	Middle bottom left support brace cover sundry parts set	1		80A.071.999.F
21	Middle bottom right support brace cover sundry parts set	1		80A.071.999.G
22	Rear bottom left support brace cover sundry parts set	1		80A.071.999.K
23	Rear bottom right support brace cover sundry parts set	1		80A.071.999.L
24	Front bottom running board cover	2		80A.071.993.A
25	Rear bottom running board cover	2		
Fasteners				
26	Multi-point socket pan head bolt M8x18	24	25 Nm	N. 911.896.01
27	Multi-point socket head flange bolt M8x16	24	25 Nm	N. 106.649.01
28	Pop rivet nut M8 (long)	20		N. 906.411.02



Position	Component designation	Quantity	Tightening torque	Part number
29	Raymond speed nut	18		015.525.003
30	Flat-head fitted bolt 5x16-Q	38	2.5 Nm	WHT.000.485
31	Screw TP4x16-Q	6	2.5 Nm	N. 907.321.03
32	Multi-point socket pan head bolt M8x52	4	25 Nm	N. 107.066.01
33	EJOT plastic clip	4		860.2599.703
34	Jack adapter set	1		80A.071.699.C
	Consists of jack adapter (part 1), spindle sleeve (part 2) and information sticker (part 3)			
	Fitting instructions	1		

4 Removing the underbody trim panels

4.1 Overview of underbody trim panels

1 - Left cover panel

- ❑ ⇒ "Removing the rear left cover -1-" on page 12

2 - Right cover panel

- ❑ ⇒ "Removing the rear left cover -1-" on page 12

3 - Noise insulation with underbody trim

- ❑ ⇒ "Removing the noise insulation with underbody trim panel -3-" on page 12

4 - Cross piece trim panel

- ❑ ⇒ "Removing the cross piece trim -4-" on page 12

5 - Middle left underbody trim panel

- ❑ ⇒ "Removing the middle left underbody trim panel -6-" on page 13

6 - Middle right underbody trim

- ❑ ⇒ "Removing the middle left underbody trim panel -6-" on page 13

7 - Rear left underbody trim panel

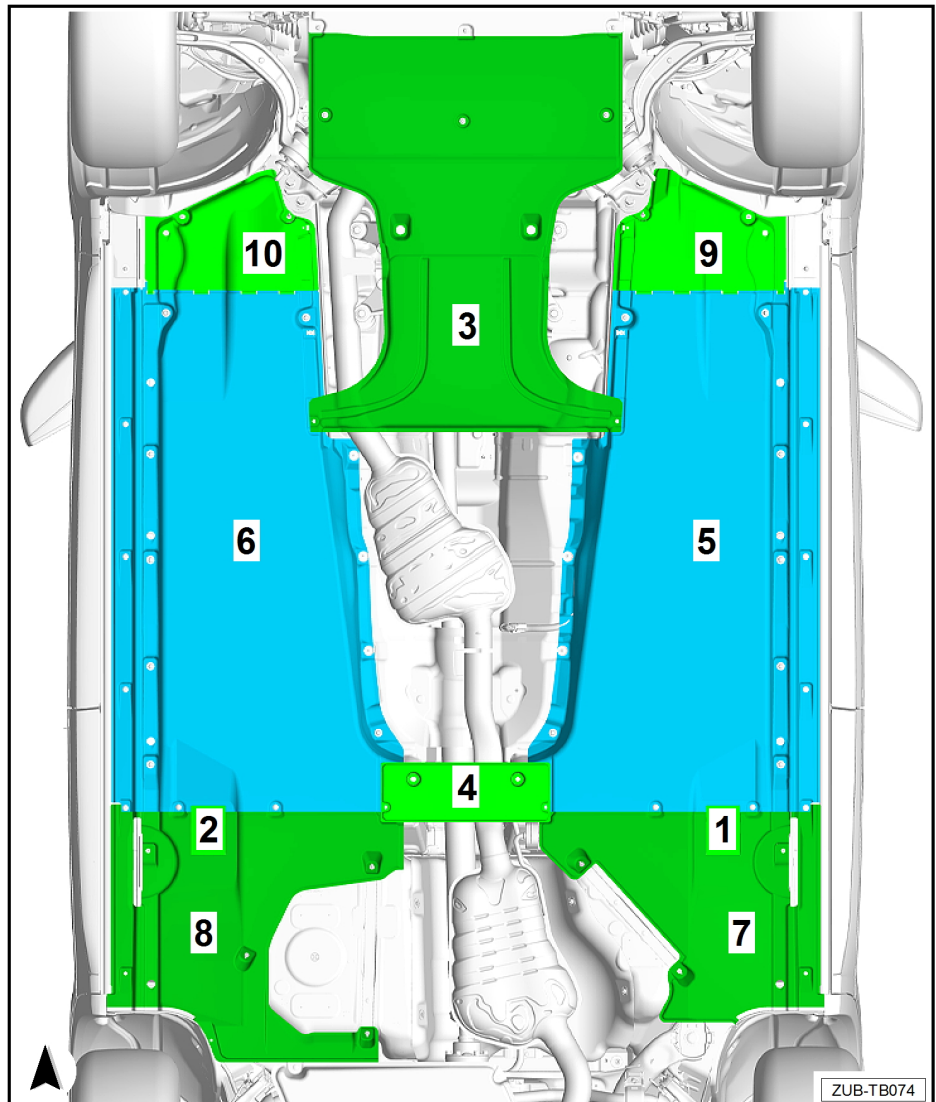
- ❑ ⇒ "Removing the rear left underbody trim panel -7-" on page 13

8 - Rear right underbody trim panel

- ❑ ⇒ "Removing the rear right underbody trim panel -8-" on page 13

9 - Front left and right underbody trim panel

- ❑ ⇒ "Removing the front left underbody trim panel -10-" on page 14



4.2 Removing the underbody trim panels

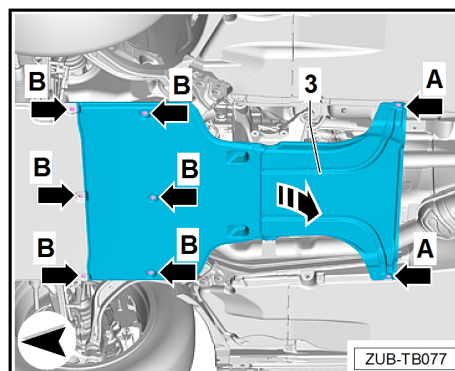
⚠ Caution

Refer to information regarding installation ⇒ "Notes on assembly" on page 2!



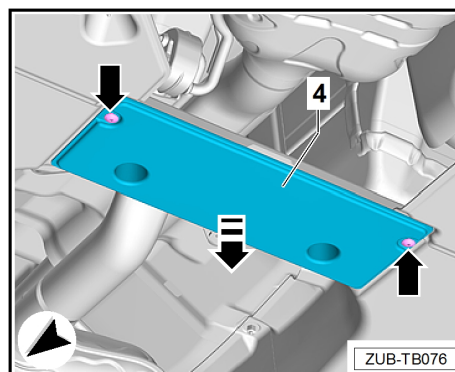
4.2.1 Removing the noise insulation with underbody trim panel -3-

- Loosen the self-tapping screws -A- and the pins -B-.
- Detach the noise insulation with underbody trim panel -3- towards the rear.



4.2.2 Removing the cross piece trim -4-

- Loosen the self-tapping screws -arrows-.
- Detach the cross piece trim -4- in a downwards direction.

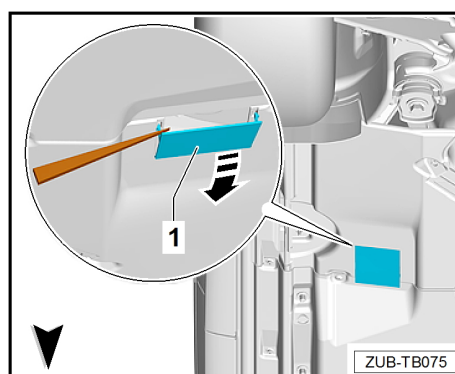


4.2.3 Removing the rear left cover -1-

- Unclip the cover -1- on the rear underbody trim panel using a wedge -3409- and detach it in a downwards direction.

i Note

Follow the same procedure to remove the rear right cover.





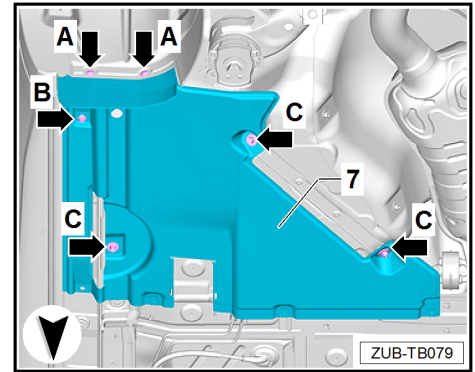
4.2.4 Removing the rear left underbody trim panel -7-

- Loosen the self-tapping screws -A-, spreader rivet -B- and the remaining plastic nuts -C- on the underbody trim panel -7-.

Note

To allow all of the bolts on the rear underbody trim panel to be loosened, the arms of the lifting platform must be relocated.

- Remove the underbody trim panel -7-.



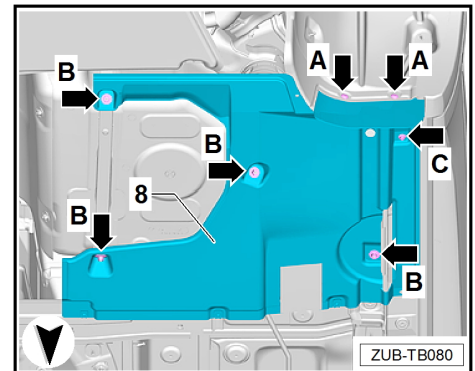
4.2.5 Removing the rear right underbody trim panel -8-

- Loosen the self-tapping screws -A-, spreader rivet -C- and the plastic nuts -B- on the underbody trim panel -8-.

Note

To allow all of the bolts on the rear underbody trim panel to be loosened, the arms of the lifting platform must be relocated.

- Remove the underbody trim panel -8-.

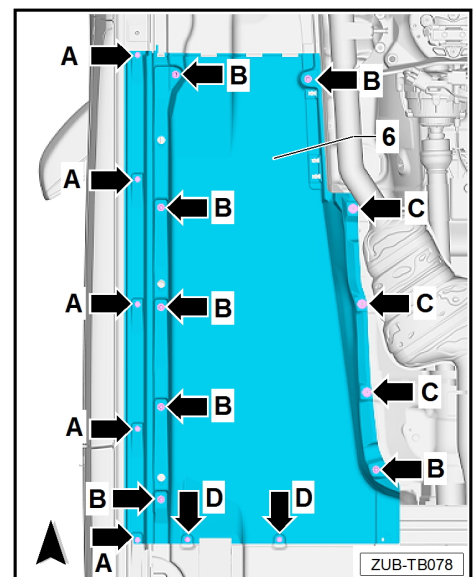


4.2.6 Removing the middle left underbody trim panel -6-

- Loosen the spreader rivet -A-, impact nut -B-, speed nut -C- and self-tapping screw -D- on the underbody trim panel.
- Remove the underbody trim panel -6-.

Note

Follow the same procedure to remove the middle right underbody trim panel.



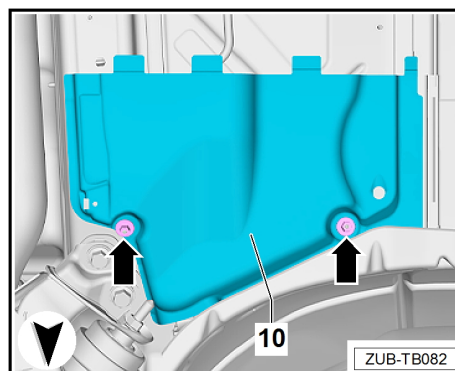


4.2.7 Removing the front left underbody trim panel -10-

- Loosen the plastic nuts -arrows- on the underbody trim panel.
- Remove the underbody trim panel -9-.

i Note

Follow the same procedure to remove the front right underbody trim panel.





5 Preparing the underbody

5.1 Finding/exposing the mounting points

 **WARNING**

Make sure that the remaining underseal does not peel off from the vehicle.

If the cathodic dip coat becomes damaged: Use two-component wash primer LLS MAX 230 M (applied with a brush or aerosol).

Use a two-component filler LLS MAX 202 M2 on the two-component wash primer (applied with a brush or aerosol).

 **WARNING**

The contact surfaces to be exposed located around the mounting holes must be clean, free from wax and flat so that the pop rivet nuts rest completely flat. This ensures that the mounting holes are sealed.

Recommendation: test by inserting the pop rivet nuts.

 **Caution**

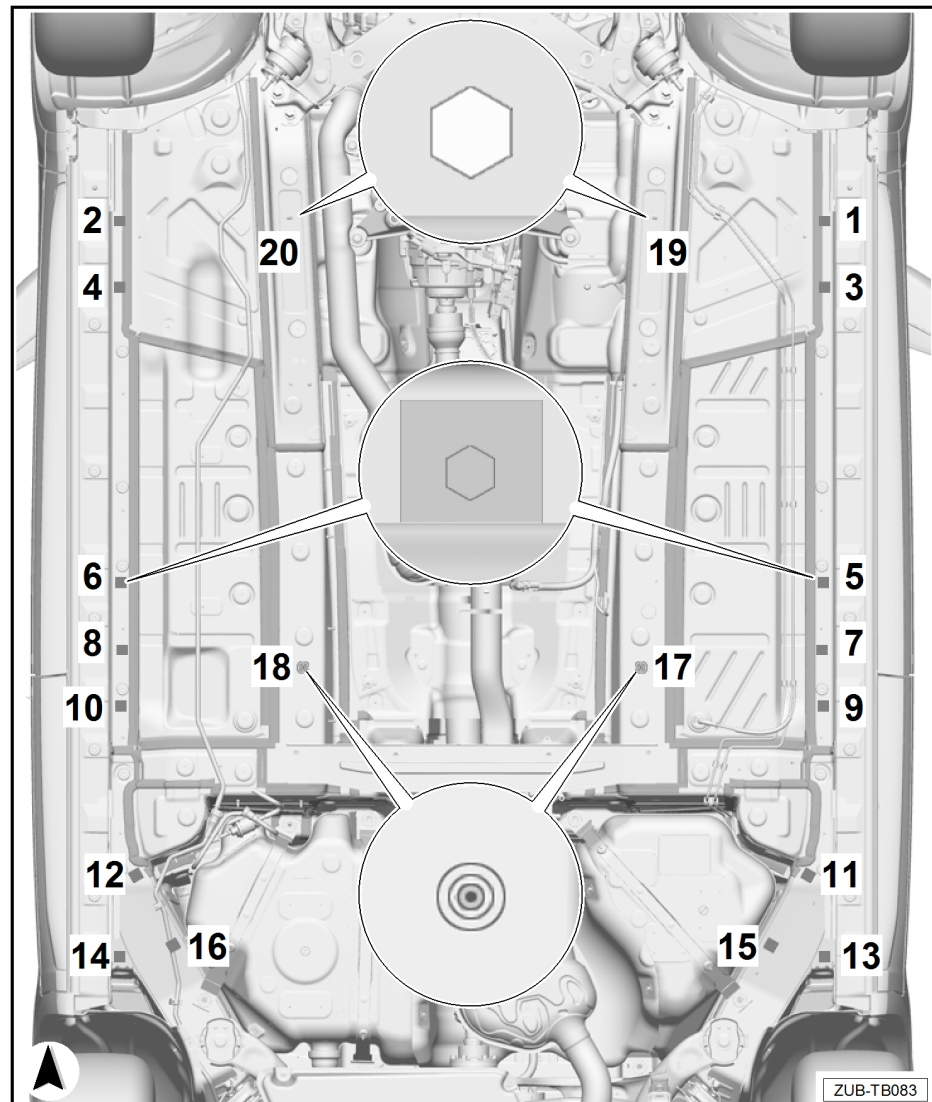
*Refer to information regarding installation ⇒ **“Notes on assembly” on page 2!***



i Note

To keep the vehicle sealed, the hexagonal holes in the vehicle are covered using adhesive spots and adhesive tape and in some cases are coated with underseal.

- Remove the adhesive spots -17- and -18- carefully.
- The mounting holes in positions -19 and 20- are not covered.



i Note

- ◆ Only remove as much underseal around positions -11 and 12- as is required.
- ◆ If the adhesive bead in the area of positions -11 and 12- has been damaged in any way, it must be sealed using adhesive sealant: AKD 476.KD5.05.
- Carefully remove adhesive tape strips -1 to 16-.

i Note

- ◆ Only remove as much underseal around positions -1 to 4- as is required.
- ◆ If the adhesive bead in the area of positions -1 to 4- has been damaged in any way, it must be sealed using adhesive sealant: AKD 476.KD5.05.



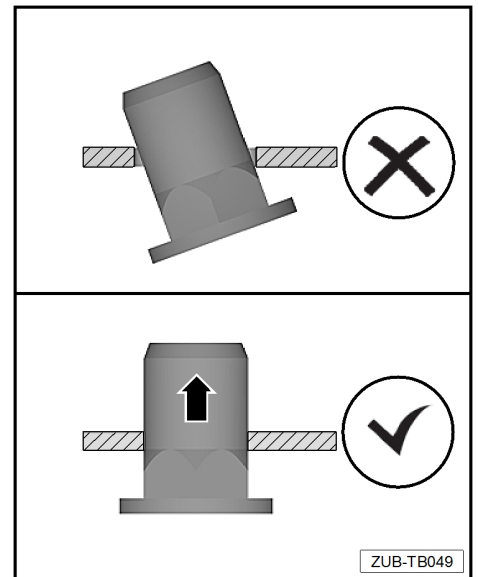
⚠ WARNING

On older versions, it may be the case that mounting points -13- and -14- are not present on the underbody of the vehicle. These must then be retrospectively incorporated.

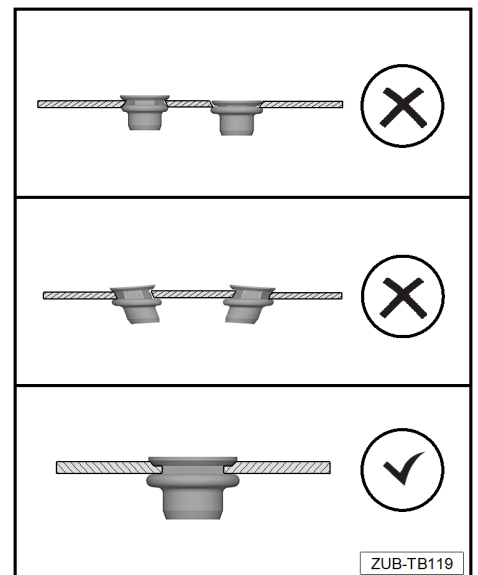
Observe the steps for retrofitting the mounting points -13- and -14- in Cross reference error: reference link ID='X-6NB1NY' not found.

5.2 Inserting pop rivet nuts correctly

Insert the pop rivet nuts so that they are straight.



Make sure that the pop rivet nuts are positioned correctly



EN



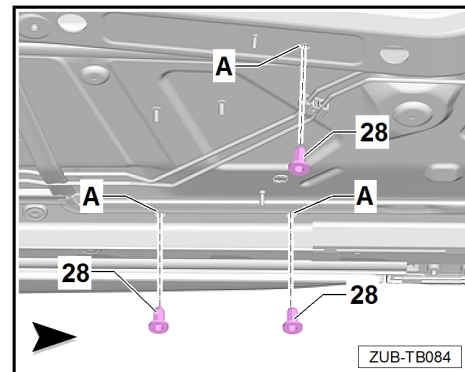
5.3 Preparing the front of the underbody before installing the support parts

- Apply sealing compound AKD 476 KD 505 all around the side member area between the shoulder of the pop rivet nut -28- and the body ⇒ [Page 15](#).
- Insert the pop rivet nut -28- in the hexagonal hole in the floor -A- and rivet using the riveting tool. Make sure that it is in correct position ⇒ [Page 17](#).



WARNING

Make sure that the riveting tool settings are correct!



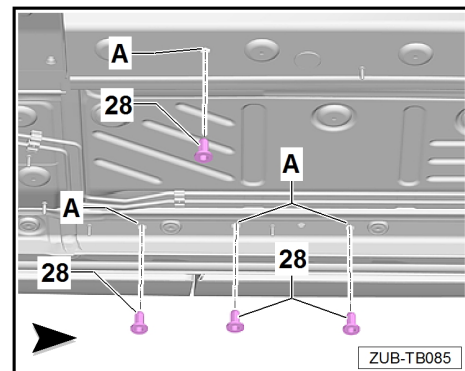
5.4 Preparing the middle of the underbody before installing the support parts

- Insert the pop rivet nut -28- in the hexagonal hole in the floor -A- and rivet using the riveting tool. Make sure that it is in correct position ⇒ [Page 17](#).



WARNING

Make sure that the riveting tool settings are correct!



5.5 Preparing the rear of the underbody before installing the support parts

- Insert the pop rivet nut -28- in the hexagonal hole in the floor -A- and rivet using the riveting tool. Make sure that it is in correct position ⇒ [Page 17](#).

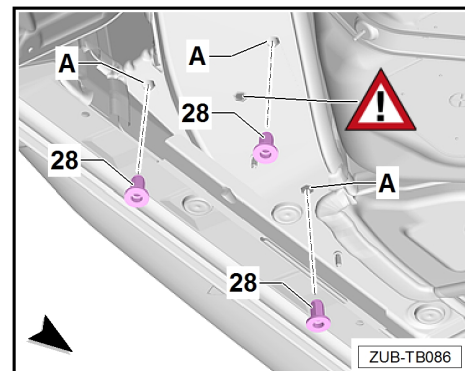


WARNING

Risk of confusion – do not expose or use the hole indicated by the -warning sign-!

Determine the correct mounting point by positioning the rear support part.

Make sure that the riveting tool settings are correct!





6 Installing the support parts and the running board

 **WARNING**

The following description is for installing the components on the left-hand side of the vehicle. Repeat the procedure for the components on the right-hand side of the vehicle, following the same instructions.

Definition of “slightly tighten”

In the following steps, the term “slightly tighten ” is frequently used.
This term describes the following process:

- Screw in bolt, but do not fully tighten.

There is still some space between the bolt head and the part to be secured so that this part can be subsequently aligned.

Definition of “hand-tighten”

In the following steps, the term “hand-tighten” is frequently used.
This term describes the following process:

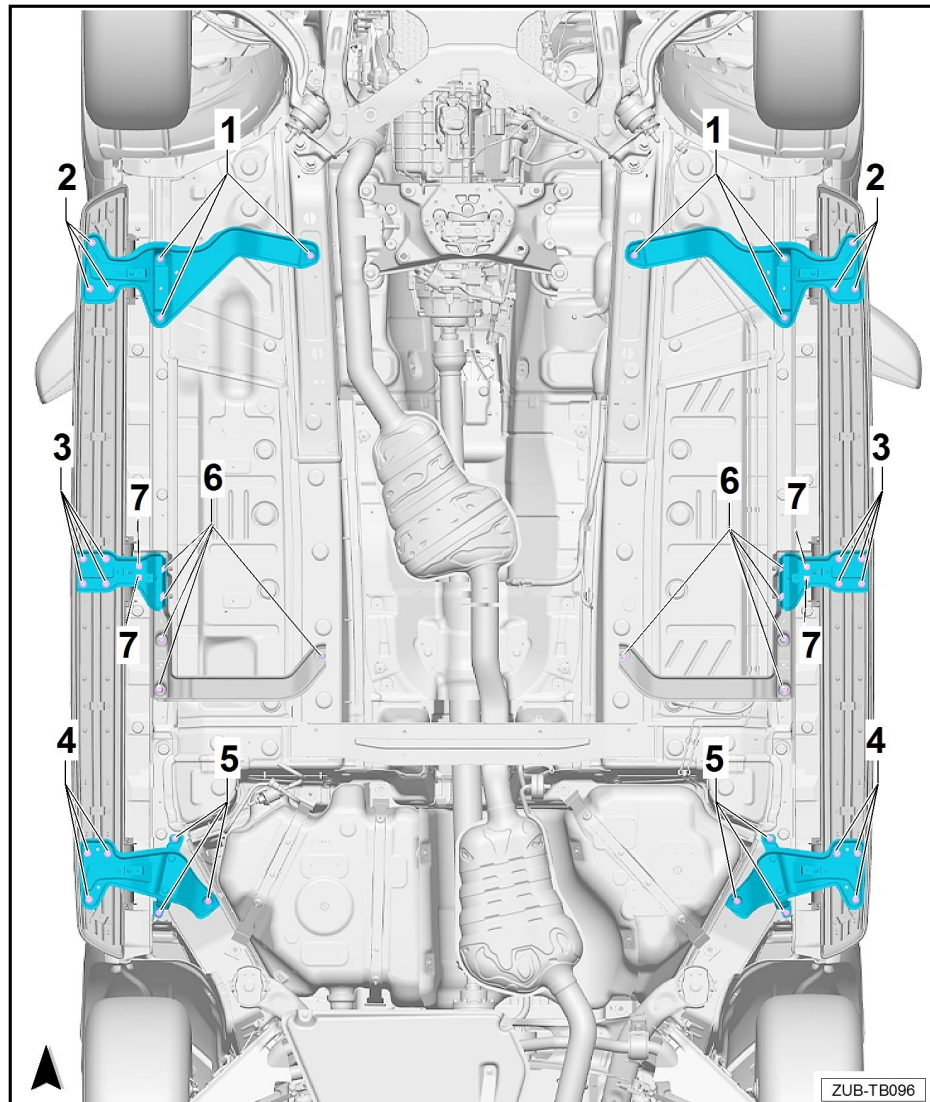
- Screw in the bolt and tighten by hand.

There should be no air gap between the bolt head the part to be secured. This prevents any accidental movement of the part.



6.1 Tightening torques for the support part and the running board

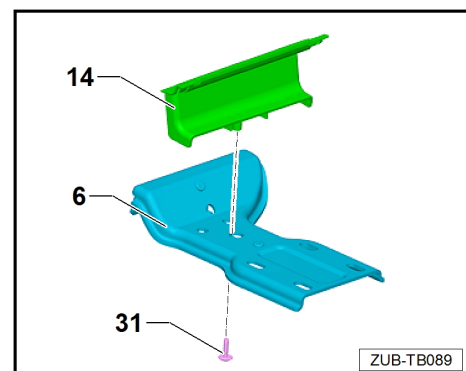
- 1 - Support part at the front of the body
□ 25 Nm
- 2 - Support part at the front of the running board
□ 25 Nm
- 3 - Middle support part 2 on the running board
□ 25 Nm
- 4 - Rear support part 1 on the running board
□ 25 Nm
- 5 - Rear support part 1 on the body
□ 25 Nm
- 6 - Middle support part 2 on middle support part 1 and body
□ 25 Nm
- 7 - Bolts for adjuster element
□ 25 Nm



6.2 Pre-assembling the top cover of the support part

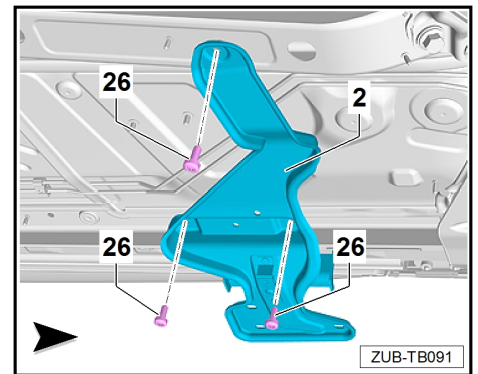
Note

- ◆ The illustration shows the top cover and middle left support part 2.
- ◆ The illustration is an example for all top covers and all support parts.
- ◆ The top covers for all support parts are pre-assembled.
- Install the top support brace cover -14- on the support part -6- using bolt -31-.
- Slightly tighten the bolt -31-.



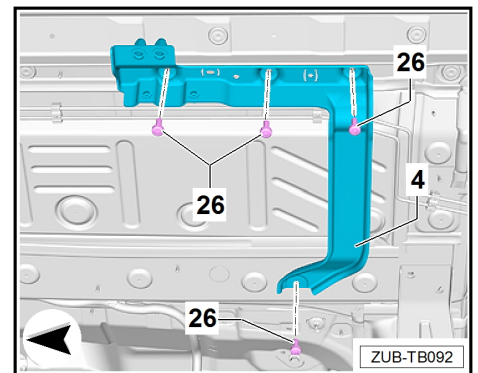
6.3 Installing the front support part -2-

- Place the front support part -2- on the pop rivet nuts.
- Insert the bolts -26- and slightly tighten them.



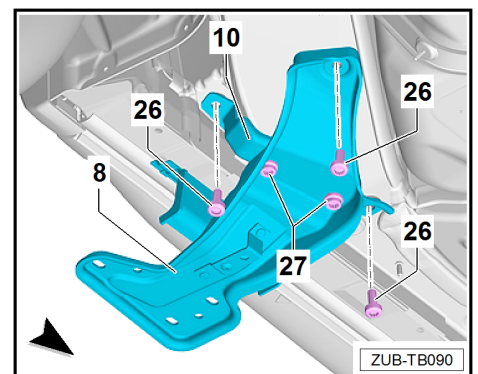
6.4 Installing middle support part 1 -4-

- Place middle support part 1 -4- on the pop rivet nuts, lightly lubricate the bolts -26- using threadlocking adhesive D. 000.600.A2, insert and tighten to the specified torque
⇒ [Page 20](#).



6.5 Installing rear support part 1 -8-

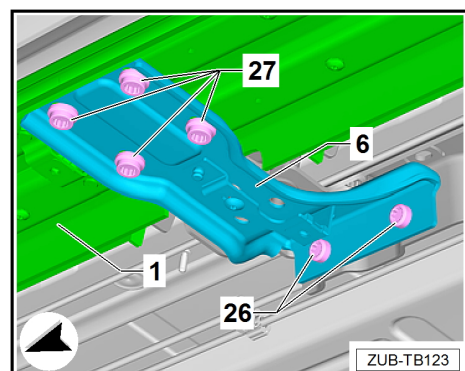
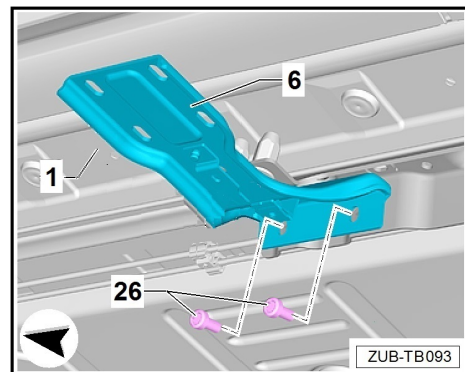
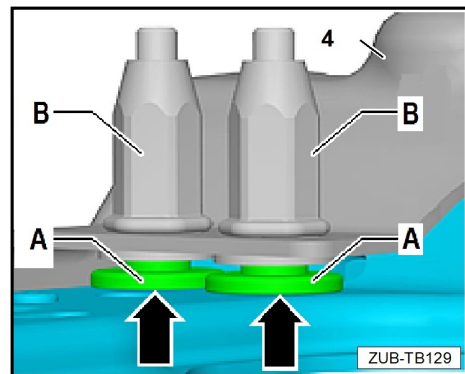
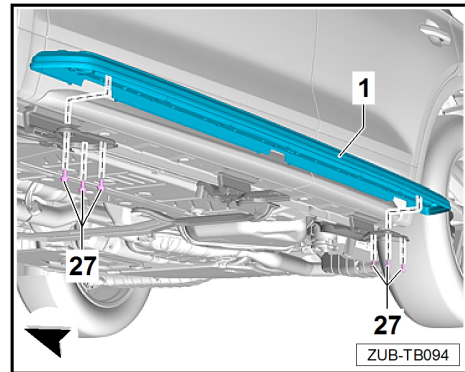
- Pre-assemble rear support parts -8 and 10-
- Insert the bolts -26- and slightly tighten them.





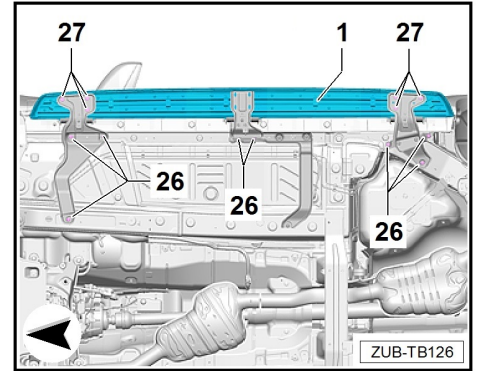
6.6 Installing the running board

- Place the running board -1- on the support brace and slightly tighten the bolts -27- at the front and rear.
- Screw the hydraulic compensation elements -A- into the pop rivet nuts -B- of middle support part 1 -4- as far as they will go.
- Position middle support part 2 -6- on the running board -1-.
- Insert the bolts -26- and slightly tighten them.
- Hand-tighten middle support part 2 -6- to the running board -1- using bolts -27-

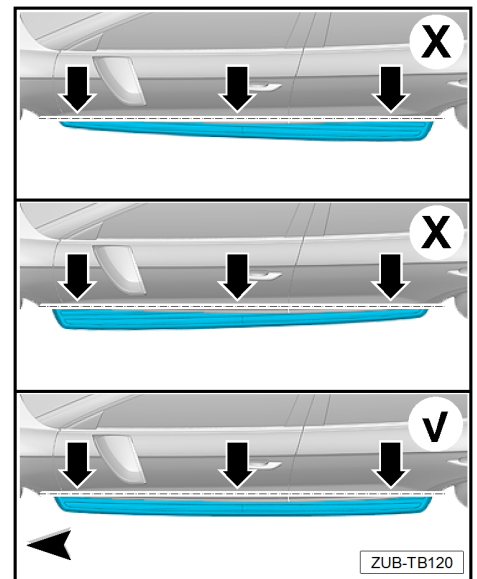




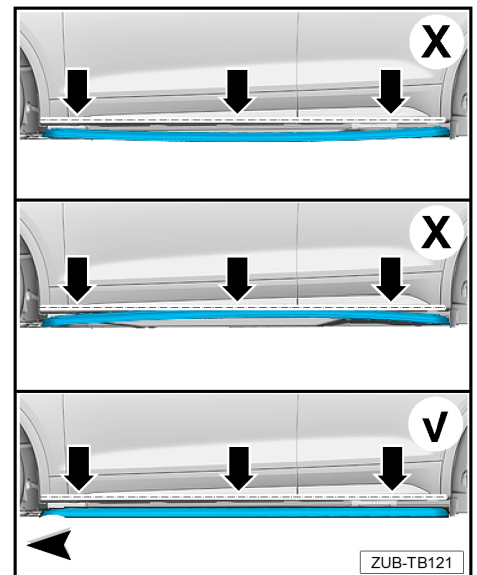
- Hand-tighten bolts -26- and -27-.



Check the alignment of the running board and adjust if necessary.



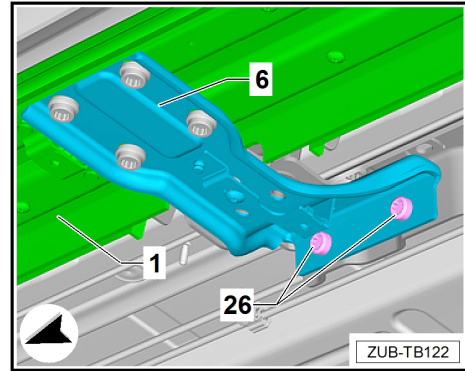
Check that the running board is level, using a spirit level if necessary.



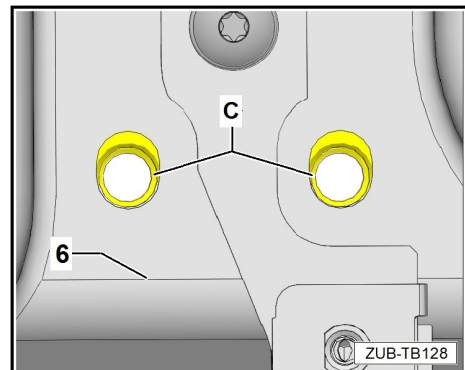
EN



- Hand-tighten the bolts -26- on middle support part 2 -6-.



- The holes on the hydraulic compensation element -C- must be flush with the holes on middle support part 2 -6-.

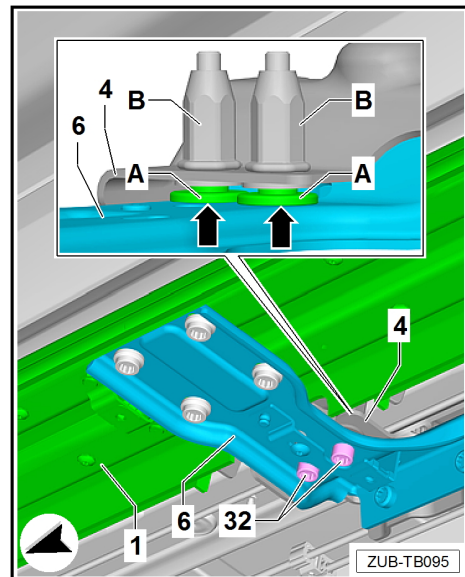


- Carefully screw the bolts -32- into the pop rivet nut -B- without tilting until the hydraulic compensation elements rest on middle support part 2 -6-.

Note

Make sure that both spacers -A- lie flush against middle support part 2 -6-.

- Tighten the bolts -32- on the hydraulic compensation element to the specified torque. Do not use any threadlocking adhesive.

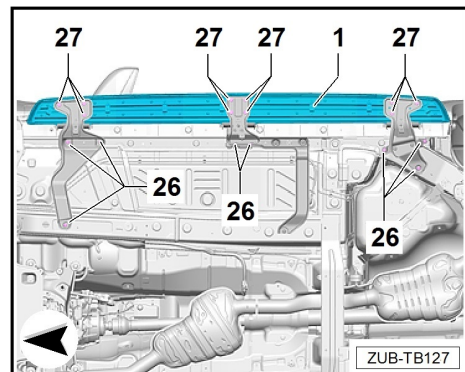


Applies to both the right-hand and left-hand side

- Unscrew bolts -26- and -27- individually, insert using locking fluid D. 000.600.A2 and tighten to the specified torque
⇒ Page 20.

Note

Mark each of the bolts that have been tightened to the specified torque with a pen.



6.7 Installing the top support brace cover

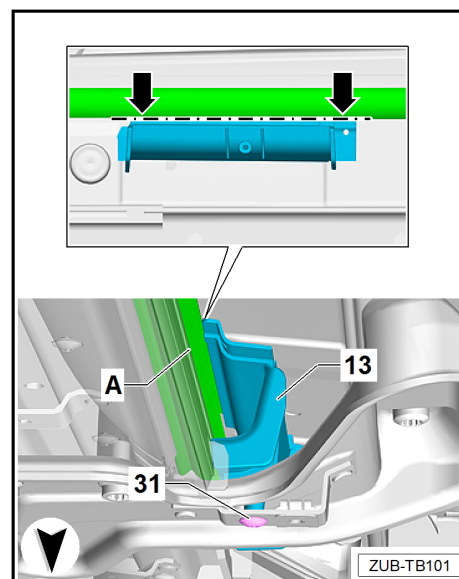
The following description of how to install the top cover is given as an example and applies to all six top covers.

- Align the top cover -13- so that it is flush against the side member joint seal -A- -arrows-.
- Tighten the bolt -31- to the specified torque ⇒ [Page 6](#).

 **WARNING**

The top cover must not be installed underneath the seal -A-.

The top cover should lie flush on the side member joint seal -arrows-.





7 Installing the underbody trim panels

7.1 Preparing and installing the underbody trim panels

Note

Numbered cutting guidelines/templates for the relevant underbody trim panel cut-out are available to download from the ETKA.

- Transfer the specified dimensions of the relevant cutting template onto the appropriate underbody trim panel using a measuring tape/ruler. Tolerance: ± 2 mm. Recommendation for transferring these: use chalk or a marker pen.
- Carefully cut out areas that are to be removed and deburr if necessary.
- Observe the shape of the inserted insulating mat!

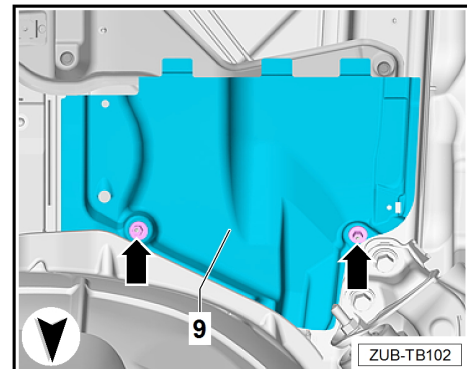
7.1.1 Installing the front underbody trim panel

Front left and right underbody trim panel

- Install the speed nut.
- Fit the underbody trim panel -9- and secure the plastic nuts -arrows-.

Tightening torques

- ◆ ⇒ Refer to General body repairs, exterior; Rep. gr. 66; Underbody trim panel; Exploded view – Underbody trim panels

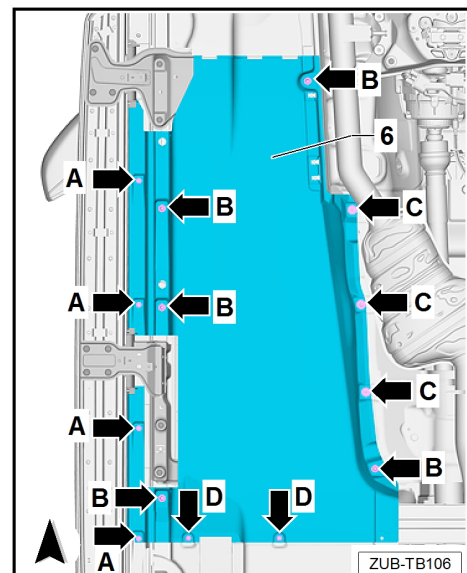


7.1.2 Installing the middle underbody trim panel

- Secure the middle underbody trim panel -6- using the impact nut -B-, speed nut -C-, self-tapping screw -D- and spreader rivet -A-.

Tightening torques

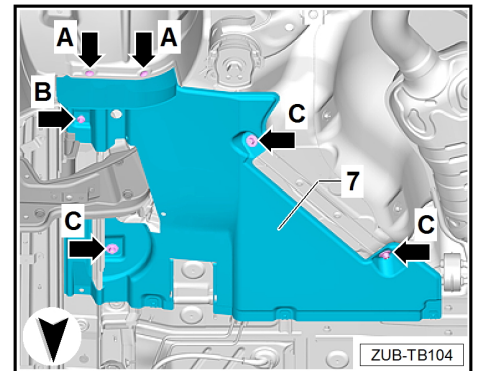
- ◆ ⇒ Refer to General body repairs, exterior; Rep. gr. 66; Underbody trim panel; Exploded view – Underbody trim panels



7.1.3 Installing the rear underbody trim panel

Rear left underbody trim panel

- Secure the rear left underbody trim panel -7- using the self-tapping screw -A-, plastic nut -B- and spreader rivet -C-.



Rear right underbody trim panel

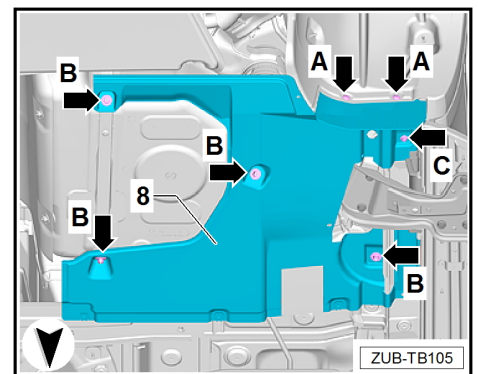
- Secure the rear right underbody trim panel -8- using the self-tapping screw -A-, plastic nut -B- and spreader rivet -C-.

Tightening torques

- ◆ ⇒ Refer to General body repairs, exterior; Rep. gr. 66; Underbody trim panel; Exploded view – Underbody trim panels

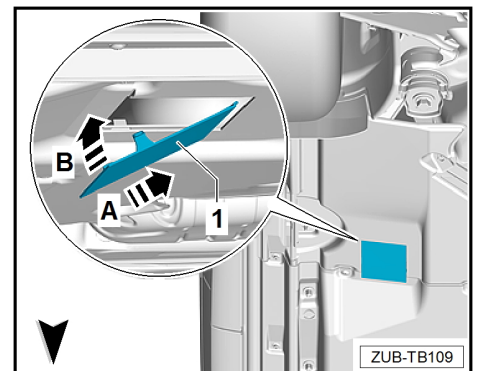
Note

To allow all of the bolts on the rear underbody trim panel to be tightened, the arms of the lifting platform must be relocated.



7.1.4 Installing the rear cover

- Clip in the cover -1- to the rear underbody trim panel in the direction of the arrow -magnifying glass-.



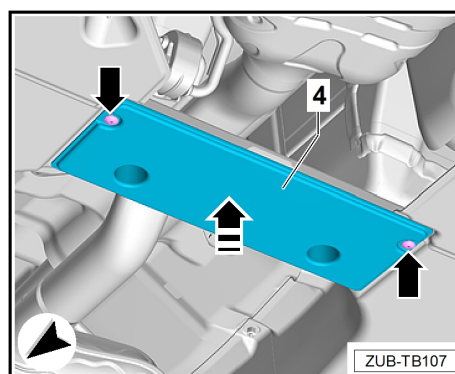


7.1.5 Installing the cross piece trim

- Install the cross piece trim -4- using the self-tapping screws -arrows-.

Tightening torques

- ◆ ⇒ Refer to General body repairs, exterior; Rep. gr. 66; Underbody trim panel; Exploded view – Underbody trim panels

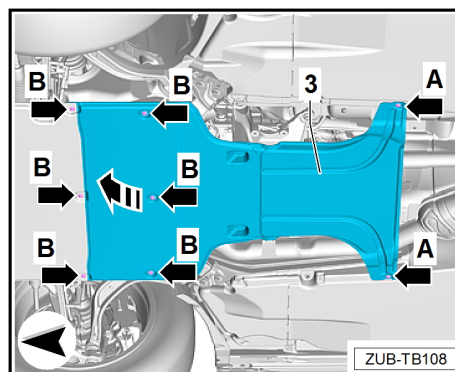


7.1.6 Installing the noise insulation with underbody trim panel

- Install the noise insulation with underbody trim panel -3- using the self-tapping screws -A- and pins -B-.

Tightening torques

- ◆ ⇒ Refer to General body repairs, exterior; Rep. gr. 66; Underbody trim panel; Exploded view – Underbody trim panels

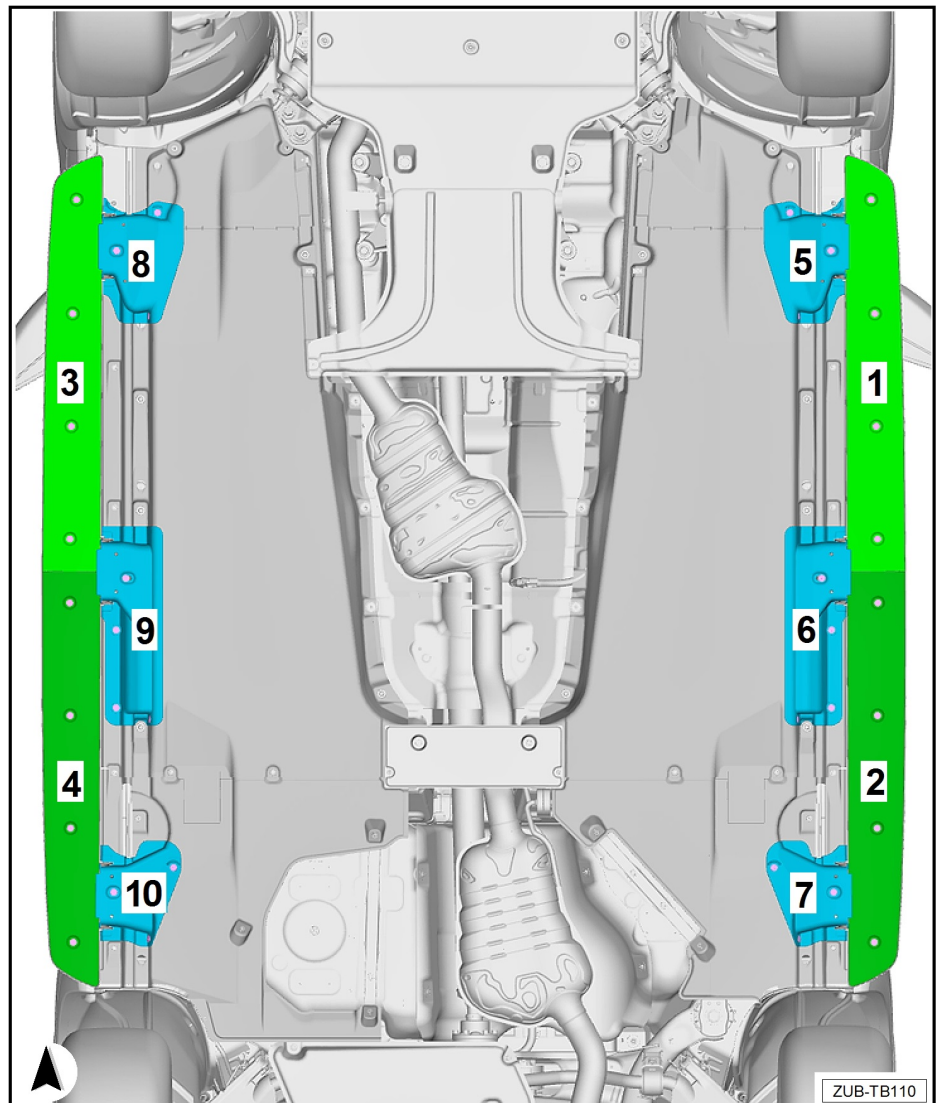


8 Assembly sequence for the running board add-on component

Note

- ◆ After fitting the "Bottom support brace covers" there should be no gap/hole and it should not be possible to see the underbody.
- ◆ The "Support brace covers" must lie flush on the underbody trim panels.

- 1 - Front bottom left running board cover/
- 2 - Rear bottom left running board cover
- 3 - Front bottom right running board cover
- 4 - Rear bottom right running board cover
- 5 - Front bottom left support brace cover
- 6 - Middle bottom left support brace cover
- 7 - Rear bottom left support brace cover
- 8 - Front bottom right support brace cover
- 9 - Middle bottom right support brace cover
- 10 - Rear bottom right support brace cover



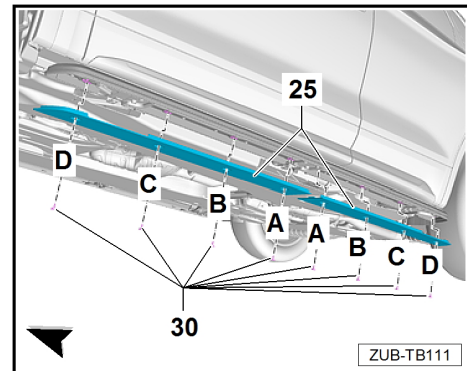


8.1 Installing the bottom running board cover

- Press the bottom running board cover -25- onto the running board and screw on using the fitted bolts -30- ⇒ [Page 6](#).

Note

- ◆ A = centering bolt
- ◆ Observe the assembly sequence for the bolts -30-!



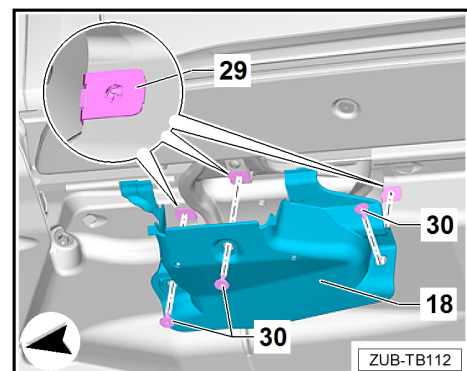
8.2 Installing the bottom support brace cover

Note

Covers for bottom support braces must sit in full contact with the underbody trim panel.

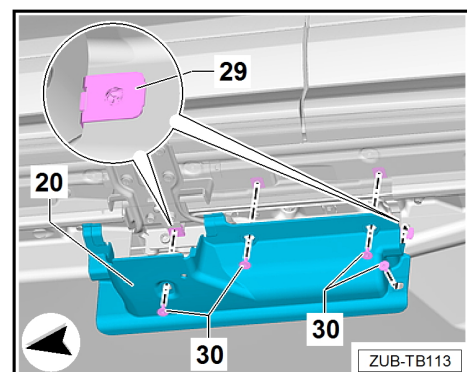
8.2.1 Front bottom support brace cover

- Install the speed nut -29- on the underbody trim panel.
- Install the front bottom support cover -18- on the underbody trim panel.
- Tighten the fitted bolt -30- to the specified torque ⇒ [Page 6](#).

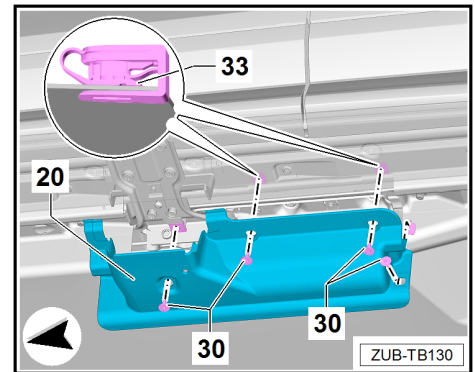


8.2.2 Middle bottom support brace cover

- Install the speed nut -29- on the underbody trim panel.

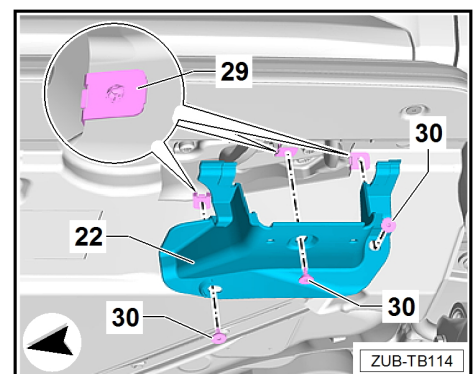


- Install the plastic clip -33- on the underbody trim panel.
- Install the middle bottom support cover -20- on the underbody trim panel.
- Tighten the fitted bolt -30- to the specified torque ⇒ Page 6.



8.2.3 Rear cover

- Install the speed nut -29- on the underbody trim panel.
- Install the rear bottom support cover -22- on the underbody trim panel.
- Tighten the fitted bolt -30- to the specified torque ⇒ Page 6.



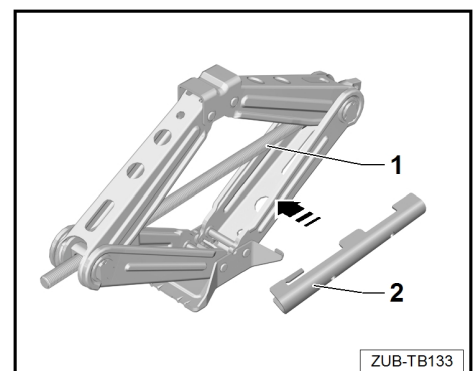
8.3 Concluding operations

WARNING

Applies only for vehicles whose equipment includes a jack.

8.3.1 Assembling the spindle sleeve for the jack

- Remove the jack from the luggage compartment.
- Unscrew the jack until the spindle sleeve -2- can be pushed over the jack spindle -1-.

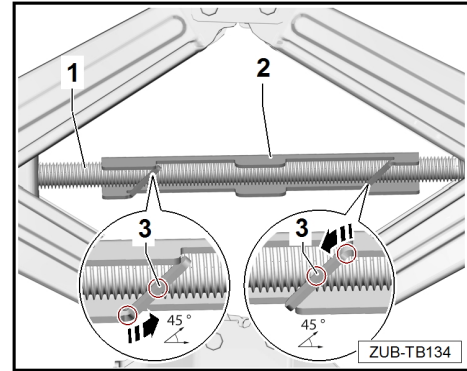




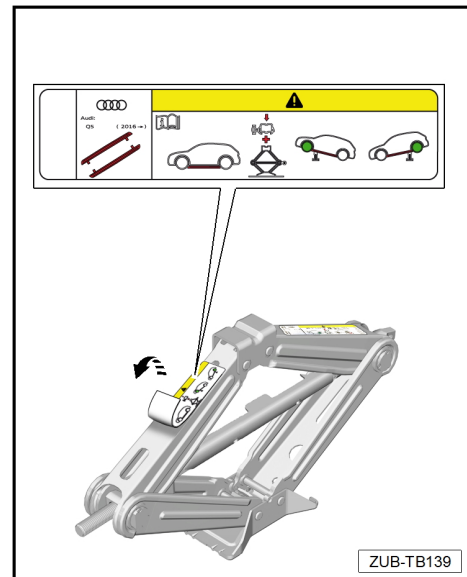
- Bend the retaining lugs -3- using suitable workshop tools, e.g. combination pliers, to an angle of 45 ° to prevent the spindle sleeve -2- coming loose from the jack spindle -1-.

i Note

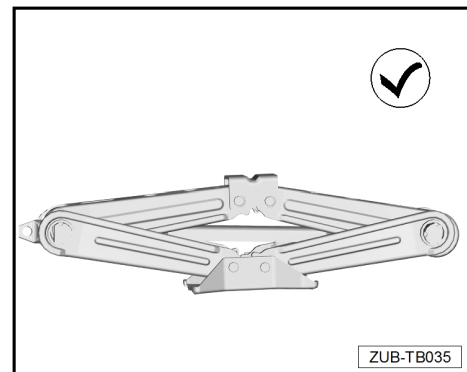
Ensure that the jack spindle can move freely at all times.



- Clean the bonding surface at the clear space on the top with isopropanol.
- Allow the cleaned bonding surface to flash off for approx. five minutes.
- Attach the enclosed information sticker to the clear space on the top.



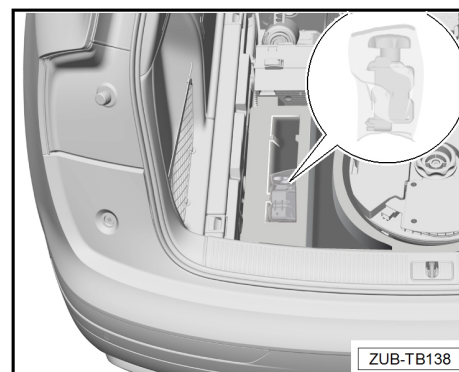
- Screw the jack back into the storage position.
- Stow the jack back in the luggage compartment.





8.3.2 Jack adapter storage location

- Place the information sheet regarding using the jack adapter in the glove compartment.
- Stow the jack adapter in the luggage compartment, in the foam section on the left under the luggage compartment floor.



8.4 Installing the jack adapter

 **Note**

To raise the vehicle, use the jack adapter and the jack. Install the jack adapter on the jack ⇒ see Information sheet for wheel mounting on the Audi Q5 (glove compartment).



9 Appendices: Certificates, expert evaluations

The following are included after the installation instructions:

- ◆ the manufacturer's certificate of Audi AG
- ◆ Excerpt from the EC certification issued by the German Federal Motor Transport Authority

Note

Enclose any required country-specific documents from the appendix with the vehicle documents, so that these can be presented to authorised persons upon request.

The information sheet about installing the jack adapter must be printed out and attached to the jack adapter set.

9.1 Change history

Version	Date	Reason for change
02	21/06/2018	Installing the spindle sleeve and jack adapter added